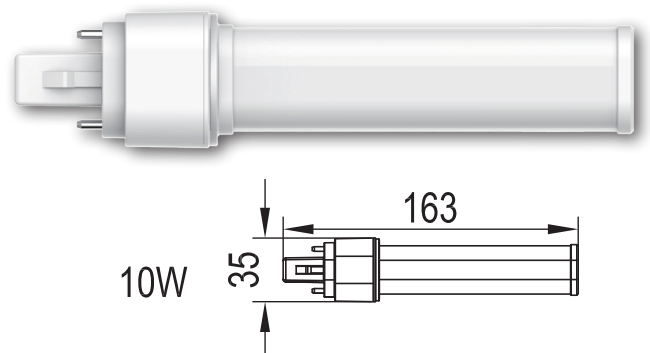


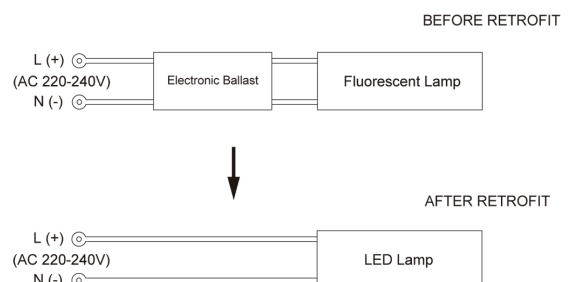
LED PLC GLOBES



CLA CODE	PLC001
Lamp Base	G24d (2 pin)
Nominal Wattage	10W
Input Voltage	220-240V AC
Colour Temperature (Kelvin)	4000K
Lumens	900LM
Luminous Efficiency	90LM/W
LED Chip Brand	San'an
LED Chip Type	SMD5630
LED QTY	34PCS
Beam Angle	130°
Nominal Current	120mA
Ambient Temperature	-20 to 45°C
Life Time	25,000hrs
Power Factor	≥0.9
CRI	80
Dimmable	No
IP Rating	IP20
Over Length	163mm
Maximum Diameter	Ø35mm
Carton QTY	1/50



- To be used with magnetic ballast only (2 pin)
- When retrofitting luminaire with electronic ballast, bypass the electronic ballast and rewire the circuit as per the 2nd wiring example shown below.
- 3 year replacement warranty based on max.8hrs usage per day



UPDATED ON 22/11/2017

Tel: (02) 9938 7100 | Fax: (02) 9938 7115 | Email: sales@clalighting.com.au

Website: www.clalighting.com.au

Follow us: facebook.com/CLALighting