

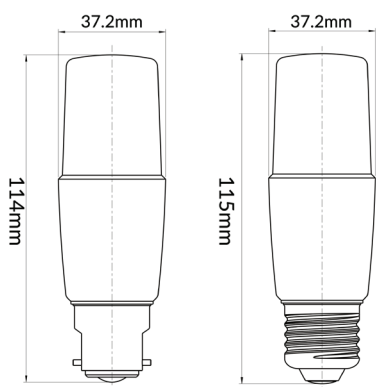
T40 LED DIMMABLE GLOBES

Globes - LED



Product Features:

- Input voltage range: 220-240V AC 50/60Hz
- Constant current LED driver inbuilt
- Housing: aluminium-plastic
- Heat sink: aluminium
- LED chips: 10pcs SMD2835 LED
- Power factor: >0.7
- Ambient temp: -25 to 40°C
- Suitable for dimming
- Suitable for 2-way switching
- Suitable for use with Microwave and PIR sensors



Tested & Recommended Dimmers:

Brand	Part No.	PCS per Dimmer
CLA	LYNX	1-8PCS
PDL	654M, 624TM	
LEGRAND	CAT 400T	
Diginet - LED smart	MEDM	
Clipsal	32E450UDM, 32E450LM, 32ELEDM	

Part No.	Description	Base	Kelvin	Lumens	Watt	CRI	Dimension (mm)	Weight (kg)	Box (cm)	Carton QTY
LT40D01	GLOBE LED BC T40 9W 3000K FR DIMM	B22	3000K	800LM	9W	≥80	Ø37.2x114	0.05	12x3.6x3.6	1/10/100
LT40D02	GLOBE LED BC T40 9W 4000K FR DIMM	B22	4000K	800LM	9W	≥80	Ø37.2x114	0.05	12x3.6x3.6	1/10/100
LT40D03	GLOBE LED BC T40 9W 5000K FR DIMM	B22	5000K	800LM	9W	≥80	Ø37.2x114	0.05	12x3.6x3.6	1/10/100
LT40D04	GLOBE LED BC T40 9W 6000K FR DIMM	B22	6000K	800LM	9W	≥80	Ø37.2x114	0.05	12x3.6x3.6	1/10/100
LT40D05	GLOBE LED ES T40 9W 3000K FR DIMM	E27	3000K	800LM	9W	≥80	Ø37.2x115	0.05	12x3.6x3.6	1/10/100
LT40D06	GLOBE LED ES T40 9W 4000K FR DIMM	E27	4000K	800LM	9W	≥80	Ø37.2x115	0.05	12x3.6x3.6	1/10/100
LT40D07	GLOBE LED ES T40 9W 5000K FR DIMM	E27	5000K	800LM	9W	≥80	Ø37.2x115	0.05	12x3.6x3.6	1/10/100
LT40D08	GLOBE LED ES T40 9W 6000K FR DIMM	E27	6000K	800LM	9W	≥80	Ø37.2x115	0.05	12x3.6x3.6	1/10/100