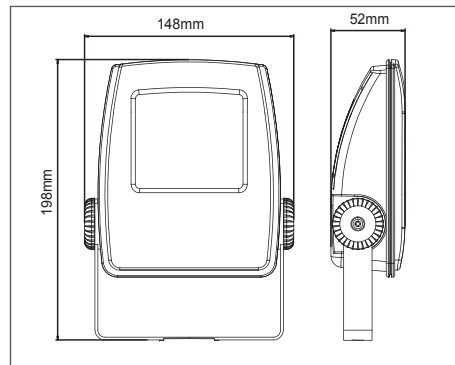




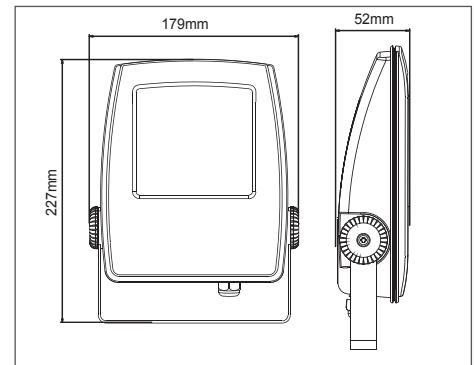
LED FLOOD LIGHTS

- Input voltage: 180-250V 50/60Hz
- Material: PC body & aluminium bracket
- Wattage: 15W & 30W
- Hongli 2835 LED chips
- Power factor: ≥ 0.9
- Ambient temp: -20 to $+40^{\circ}\text{C}$
- IP65 rated
- Not suitable for dimming
- Suitable for 2-way switching
- Suitable for use with Microwave & PIR sensors

25,000hr Lifetime	70° Beam Angle	IP65 Rated	2YEAR Replacement Warranty	
-----------------------------	--------------------------	----------------------	---	--



FLOOD15



FLOOD16

PART NO.	DESCRIPTION	KELVIN (K)	LUMENS (LM)	WATT (W)	CRI	WEIGHT (kg)	BOX (cm)	CARTON QTY
FLOOD15	FLOOD LED BLK P/C (aluminum bracket) 15W 5000K	5000	1200	15	80	0.5	34.5x33x24.5	10
FLOOD16	FLOOD LED BLK P/C (aluminum bracket) 30W 5000K	5000	2200	30	80	0.8	50x34.5x25.5	10

updated on 26.07.2018