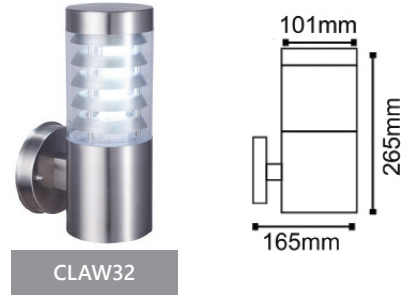
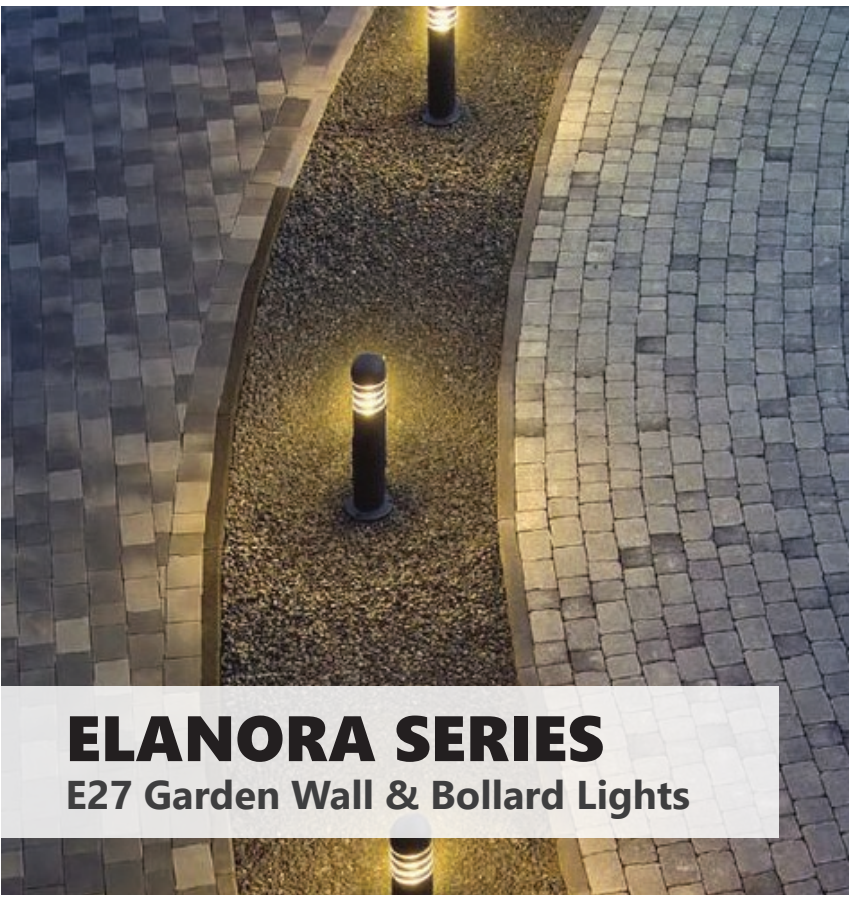


EXTERIOR LIGHTING



PRODUCT FEATURES

- Input voltage: 220-240V AC 50/60Hz
- Housing: powder coated 304 stainless steel
- Screws & surface mounting bracket + louvres: stainless steel (Not for use inground)
- Diffuser: clear PC
- Max 60W halogen globes
- E27 lamp holder
- Recommended CLA globes: 3U001-003(when used with external control gear), CAN & LT series (Limited space of OD 53mm x H 145mm available)
- Globe not included

IP44 Rated **2YEAR** Replacement Warranty

PART NO.	DESCRIPTION	DIAM (mm)	INSIDE LOUVRE OD(mm)	INSIDE LOUVRE H(mm)	HEIGHT (mm)	Mounting PLATE OD (mm)	WEIGHT (KG)	BOX (cm)	CARTON QTY
CLA1615LBL	BOLLARD ELANORA SS304 ES BLK LONG 1000mm	Ø101	Ø53	145	1000	Ø145	2.4	15x15x101	4
CLA1615SBL	BOLLARD ELANORA SS304 ES BLK SHORT 500mm	Ø101	Ø53	145	500	Ø145	1.3	15x15x51	10
CLAW32	WALL ES ELANORA S/M FIXED SS304 RND	Ø101	Ø53	145	265	Ø97	1.5	29x17x11.5	10
CLA1615L	BOLLARD ELANORA SS304 ES LONG 1000mm	Ø101	Ø53	145	1000	Ø145	2.0	15x15x100	4
CLA1615S	BOLLARD ELANORA SS304 ES SHORT 500mm	Ø101	Ø53	145	500	Ø145	1.0	15x15x51	10

UPDATED ON 17.05.2018