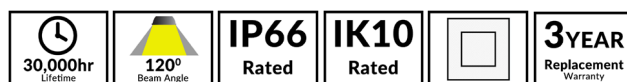




BULK SERIES LED Bulkhead Lights

- Input voltage: 240V AC
- Epistar 2835 LED chips
- CRI: >80
- Material: polycarbonate, frosted diffuser
- Ambient temp: -20 to 45°C
- Double insulated
- IK10 impact rating for Vandal resistance
- Large terminal holes for easy connection



BULK1



BULK2



BULK3



BULK4



BULK5



BULK6



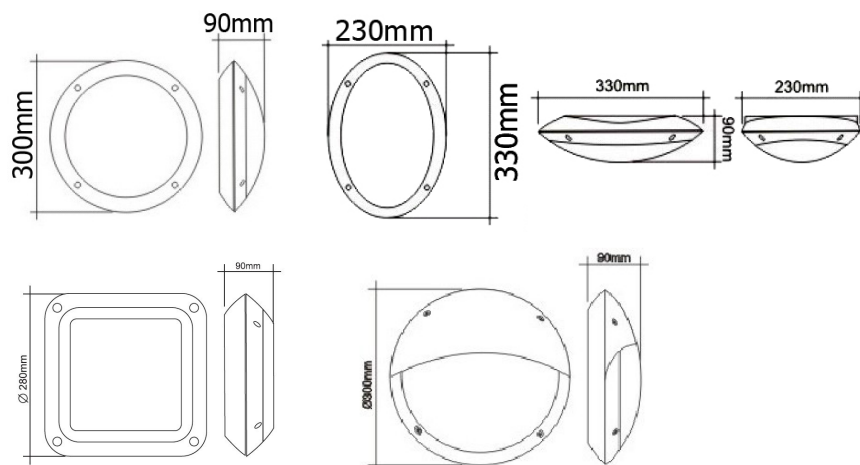
BULK7



BULK8

TECHNICAL DATA

PART NO.	KELVIN (K)	LUMENS (LM)	WATT (W)	DIAM (mm)	DEPTH (mm)	WEIGHT (Kg)	BOX (cm)	CARTON QTY
BULK1	4000	800	12	Ø300	90	1.12	31x31x10	8
BULK2	4000	800	12	Ø300	90	1.00	31x31x10	8
BULK3	4000	800	12	230	90	1.00	33x23x10	8
BULK4	4000	800	12	230	90	1.00	33x23x10	8
BULK5	4000	800	12	280	90	1.25	29x29x9.5	8
BULK6	4000	800	12	280	90	1.25	29x29x9.5	8
BULK7	4000	500	12	Ø300	90	1.25	31x31x10	8
BULK8	4000	500	12	Ø300	90	1.25	31x31x10	8



Brochure updated on 11.07.2018