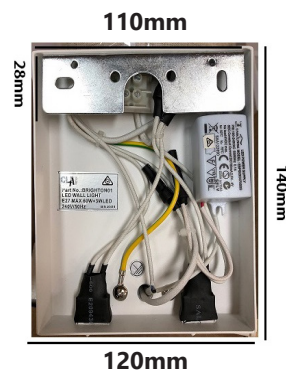
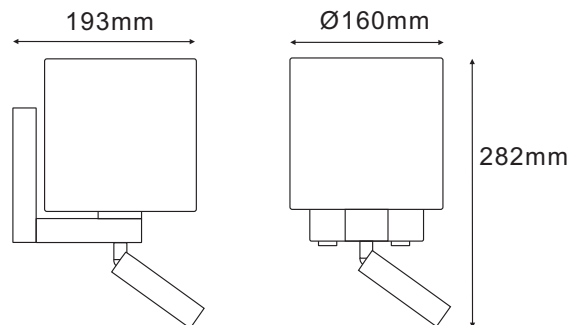


## CITY SERIES: BRIGHTON

### Interior Surface mounted Wall Lamp with Separately switched LED Adjustable Reading Light

- Input voltage: 220-240V AC 50/60Hz
- Inbuilt constant current driver
- Driver output voltage: 2.5-4V
- Driver input current: 0.1A
- Driver output current: 0.7A
- Shade: cloth
- Back plate: powder coated white aluminium
- Mounting bracket: iron
- Main lamp: E27 lamp holder
- Main lamp: Max.60W halogen globe
- Reading light: 3W
- Reading light: 1pc 3535 LED chip
- 2 x on/off switch on bottom of backplate
- Ambient temp: -20 to 50°C (The life of the lamp will gradually reduce if used outside these temperature parameters)
- Suitable for 2 way switching
- Suitable for use with PIR or Microwave sensors



30,000hr Lifetime	120° Beam Angle	<b>IP20</b> Rated	<b>2YEAR</b> Replacement Warranty
----------------------	--------------------	----------------------	---

Part No.	Main Lamp Base	Reading Lamp Kelvin (K)	Reading Lamp Lumens (LM)	Reading Lamp Watt (W)	Reading Lamp CRI	Weight (kg)	Box (cm)	Carton QTY
BRIGHTON01	E27	3000	278	3	≥80	1.60	28x22.3x18.8	6
BRIGHTON02	E27	5000	298	3	≥80	1.60	28x22.3x18.8	6

UPDATED ON 25.06.2018