

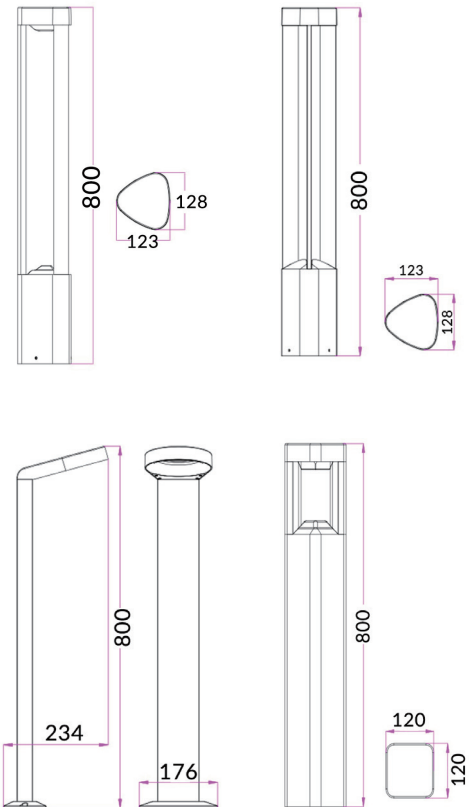


BOL

Exterior LED surface mounted bollard lights

- Input voltage range: 100-240V AC 50/60Hz
- Inbuilt driver output range: 13.5-22V
- Housing: aluminium
- Heatsink & mounting bracket: aluminium
- Power factor: >0.5
- CRI: >80
- Ambient Temp: -20 to 50°C
- Not for use inground
- Not suitable for dimming
- Suitable for 2-way switching

30,000hr Lifetime	IP54 Rated	3YEAR Replacement Warranty
-------------------	-------------------	-----------------------------------



PART NO.	DESCRIPTION	KELVIN (K)	LUMENS (LM)	WATT (W)	BEAM ANGLE	CRI	HEIGHT (mm)	WEIGHT (kg)	BOX (cm)	CARTON QTY
BOL1A	BOLLARD LED GREY 3000K 7W 3 SECTIONS	3000	216	7	197.1°	>80	800	2.2	82x14x14	1/4
BOL2	BOLLARD LED GREY 3000K 7W TRIANGULAR	3000	88	7	120°	>80	800	2.6	83x30x29	1/4
BOL3	BOLLARD LED GREY HOOP 3000K 7W	3000	226	7	120°	>80	800	2.5	81x25x19	1/4
BOL4A	BOLLARD LED GREY 3000K 7W SQ	3000	193	7	343.1°	>80	800	2.95	82x15x14	1/4