

BLACKBAND SERIES

240V E27 MODERN PENDANT LIGHTS



BLACKBAND1



BLACKBAND2



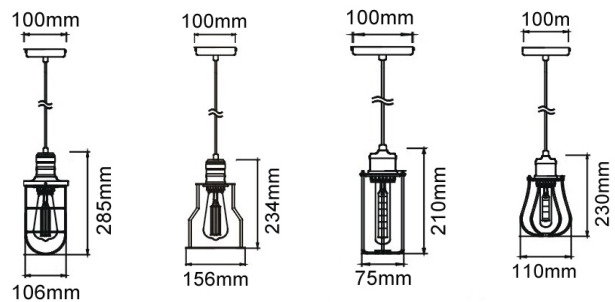
BLACKBAND3



BLACKBAND4

Product Features:

- Material: powder coated iron
- Lamp holder: E27 (Max.72W halogen globes)
- 25W carbon filament globe included
- Warranty: 1 year replacement (fitting only)



Part No.	Description	Height	Width	Cable	Canopy	Carton QTY
BLACKBAND1	PENDANT ES 72W BLK IRON CAGE CURVED	285mm	106mm	3000mm	Ø100mm	1/10
BLACKBAND2	PENDANT ES 72W BLK IRON CAGE ANGLED	234mm	156mm	3000mm	Ø100mm	1/10
BLACKBAND3	PENDANT ES 72W BLK IRON CAGE TUBULAR	210mm	75mm	3000mm	Ø100mm	1/10
BLACKBAND4	PENDANT ES 72W BLK IRON CAGE PEAR	230mm	110mm	3000mm	Ø100mm	1/10

BLACKBAND SERIES

240V E27 MODERN PENDANT LIGHTS



- Material: powder coated iron
- Lamp holder: E27 (Max.72W halogen globes)
- 25W carbon filament globe included
- Warranty: 1 year replacement (fitting only)
- White fittings(WHITEBANKD series) are also available



BLACKBAND5



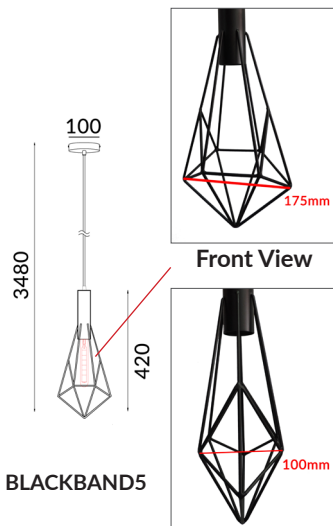
BLACKBAND6



BLACKBAND1X3

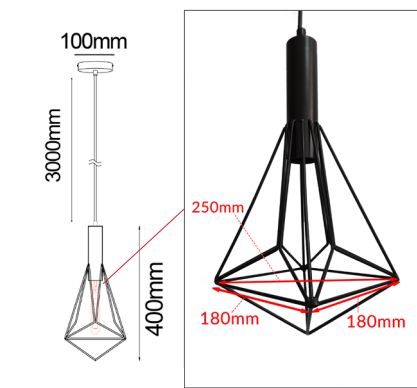


BLACKBAND2X3

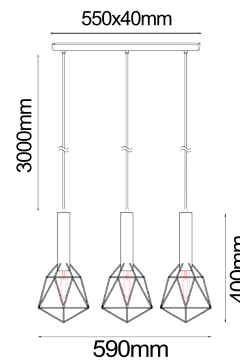


BLACKBAND5

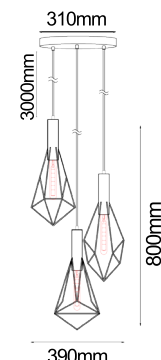
Side View



BLACKBAND6



BLACKBAND1X3



BLACKBAND2X3

Part No.	Description	Height	Width	Cable	Canopy	Carton QTY
BLACKBAND5	PENDES 72W BLK IRON CAGE SML DIAMOND	420mm	see line drawings	3000mm	Ø100mm	1/10
BLACKBAND6	PENDANT ES 72W BLK IRON CAGE ANGLED	400mm	see line drawings	3000mm	Ø100mm	1/10
BLACKBAND1X3	PENDANT ES 72W BLK IRON CAGE TUBULAR	400mm	590mm	3000mm	550x40mm	1/10
BLACKBAND2X3	PENDANT ES 72W BLK IRON CAGE PEAR	800mm	390mm	3000mm	Ø310mm	1/10