

### CHAM-TOUCH-1C

Variant	Item No.	Detail
20145	CHAM-TOUCH-1C	1CH Wall Controller

Thank you for purchasing your new CHAM-TOUCH-1C Wall Controller, Please take the time to read and understand the instruction sheet below. Failure to do so may void warranty.

### Specifications

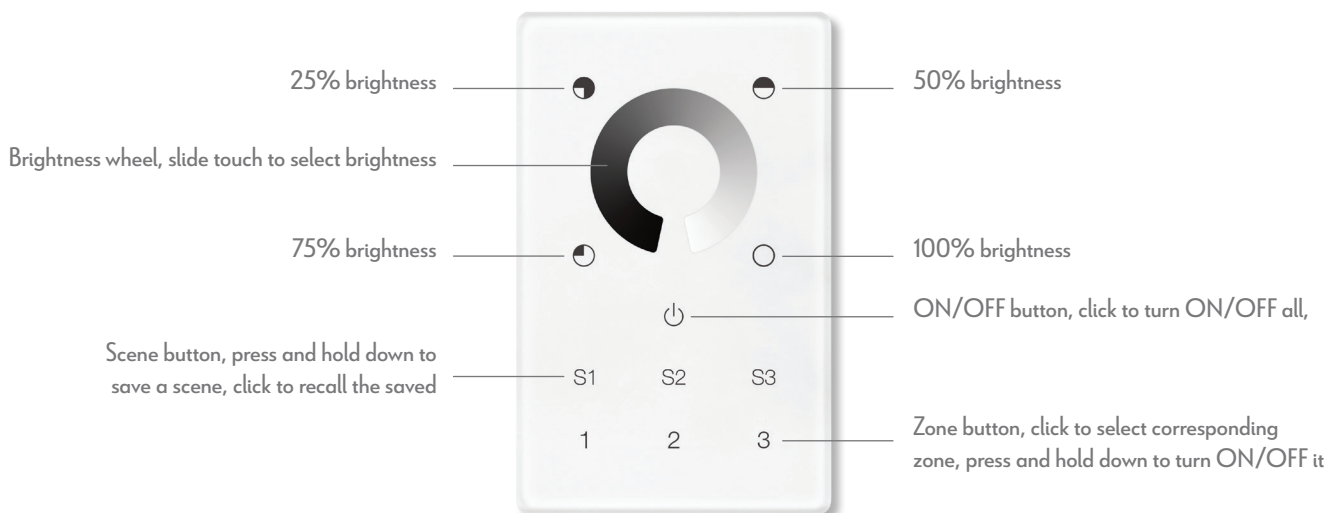
Type of controller:	Single colour touch wall control	Cutout (mm):	(L) 70mm x (W) 44mm x (D) 20mm
Output signal:	RF + Bluetooth	Transmission frequency:	2.4GHz
Dimming range:	0.1% - 100%	Operating temperature:	0-40°C
Colour:	White (Glass)	Power consumption:	< 15mA
Dimensions (mm):	(L) 120mm x (W) 75mm x (D) 29.1mm	Operation voltage:	240V

- Touch sensitive
- Glass interface(white & black)
- Compatible with all universal series RF+Bluetooth receivers
- Radio frequency: 2.4GHz
- Control single colour
- Control 3 zones/areas
- Waterproof grade: IP20

### Safety & Warnings

- DO NOT install with power applied to device.
- DO NOT expose the device to moisture.

### Function Introduction

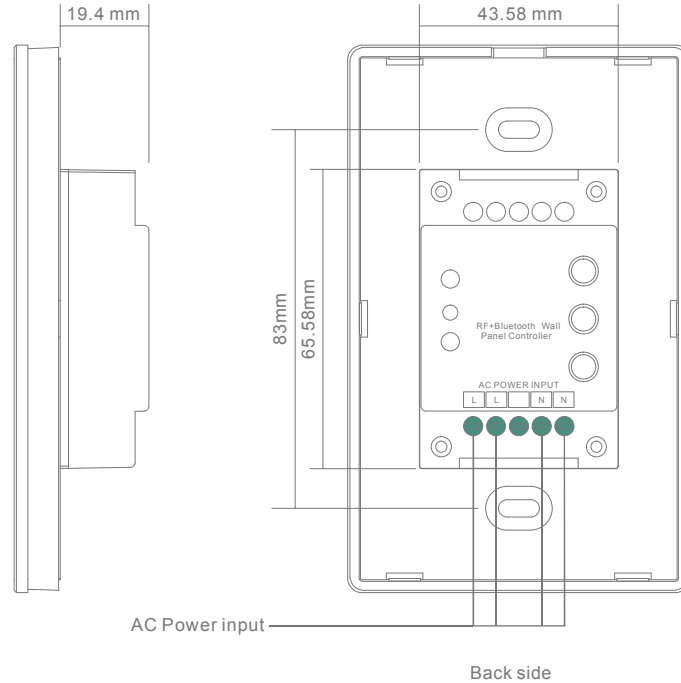


**Note:** -The lamp must be installed by professional electrician  
 -Ensure the power supply is switched off before fitting this product

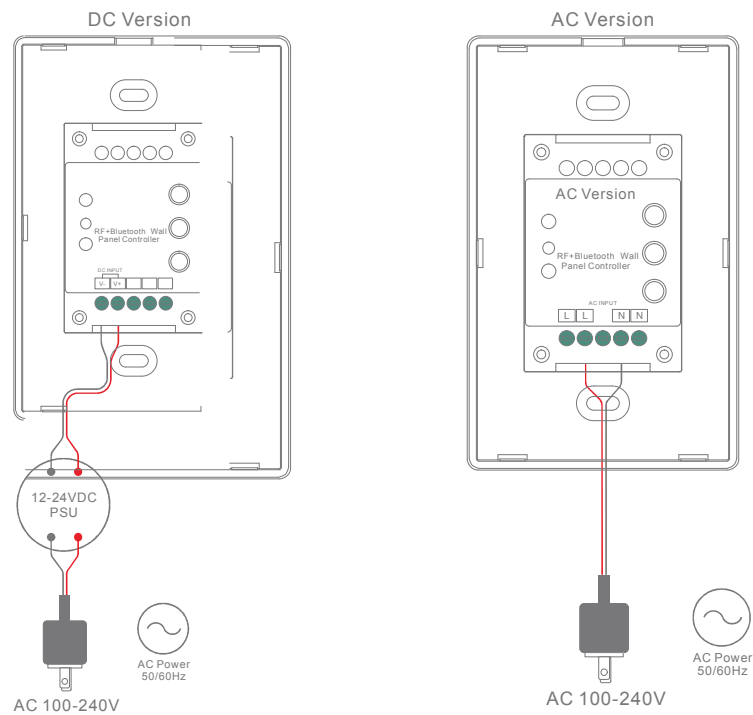
-Do not touch the lamp when in use  
 -Keep away from hot steam and corrosive gas

## Installation Manual

### Function Introduction




### Wiring Diagram



**Note:** -The lamp must be installed by professional electrician  
 -Ensure the power supply is switched off before fitting this product

-Do not touch the lamp when in use  
 -Keep away from hot steam and corrosive gas

## Operation

1. Do wiring the wall panel & RF+Bluetooth receiver according to wiring diagram (please refer to the instruction of RF+Bluetooth receiver that you would like to pair with)
2. Power on, then touch the button  to turn on the controller, indicator of the controller turned blue.

## Pair with RF+Bluetooth receiver



### ● RF+Bluetooth LED Receiver

Prog

**Step 1:** Click the "Prog. Key" or "Reset" button on RF+Bluetooth receiver (or reset power of the receiver 3 times continuously if the button is not accessible) to set it into pairing to RF+Bluetooth remote status.

**Step 2:** Short press 1/2/3 to select a zone which you would like to pair the receiver to.

**Step 3:** Touch the brightness wheel, LED lights connected with the RF+Bluetooth receiver flicker once means the receiver is paired with the selected zone of the wall panel successfully.