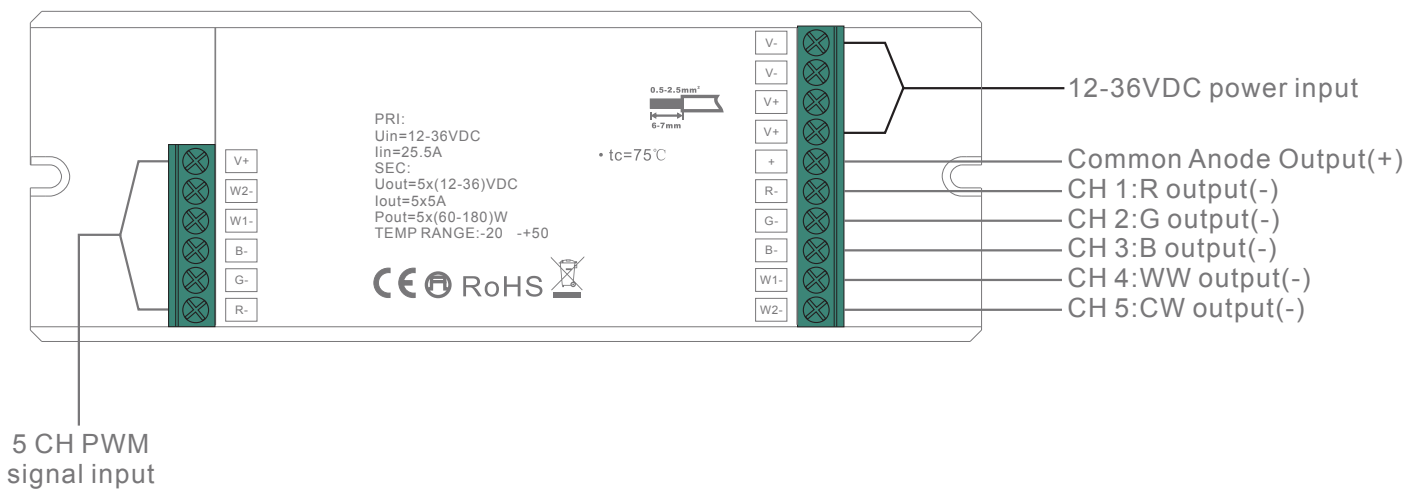


### CHAM-DR-5C

#### Specifications

Input Voltage:	12-24VDC	Output Current:	5x5A	Output Power:	5x(60-180)W
Size:	170x59x29mm	CCT:	RGB+TW	Operating Temp:	-20°C ~ +50°C
IP Rating:	IP20				



#### Safety & Warnings:

- DO NOT install with power applied to device.
- DO NOT expose the device to moisture.

#### Operation:

LED power repeater is suitable for all of our single colour, CCT, RGB and RGB+CCT controllers to expand power output, it supports PWM control and can connect one to three times more LEDs by adding one more power repeater, and unlimited power repeaters can be connected together theoretically.

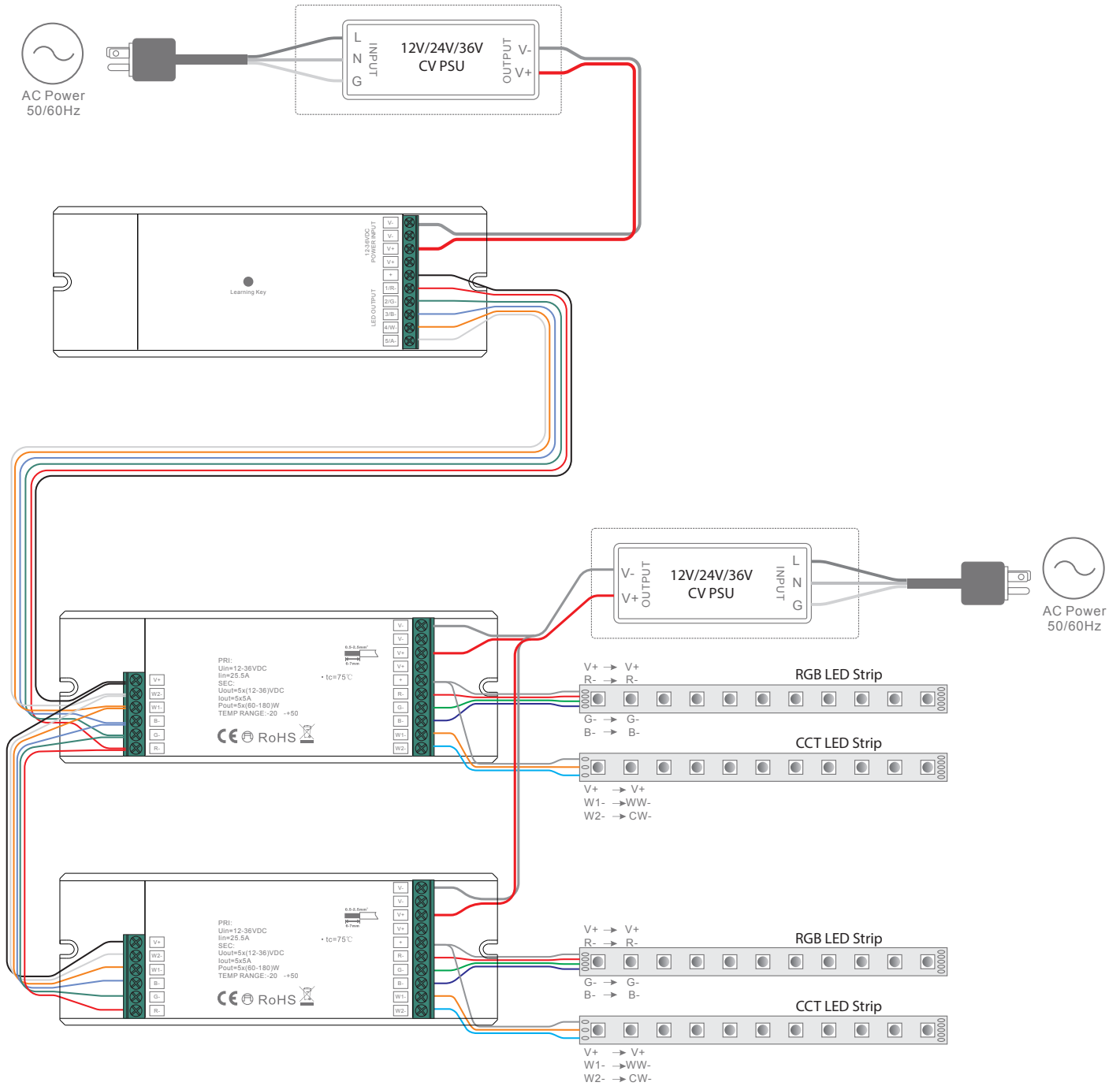
The constant voltage power repeater and constant current power repeaters can be connected together, which is convenient for controlling LEDs with different voltage and power.

**Note:** -The lamp must be installed by professional electrician  
-Ensure the power supply is switched off before fitting this product

-Do not touch the lamp when in use  
-Keep away from hot steam and corrosive gas

## Installation Manual

### Wiring Diagram



**Note:** -The lamp must be installed by professional electrician  
 -Ensure the power supply is switched off before fitting this product

-Do not touch the lamp when in use  
 -Keep away from hot steam and corrosive gas