

CHAM-DR-1C

Order Code	Product Code	Description
20134	CHAM-DR-1C	1CH power data repeater

Thank you for purchasing your new CHAM-DR-1C power data repeater, Please take the time to read and understand the instruction sheet below. Failure to do so may void warranty.

Specifications

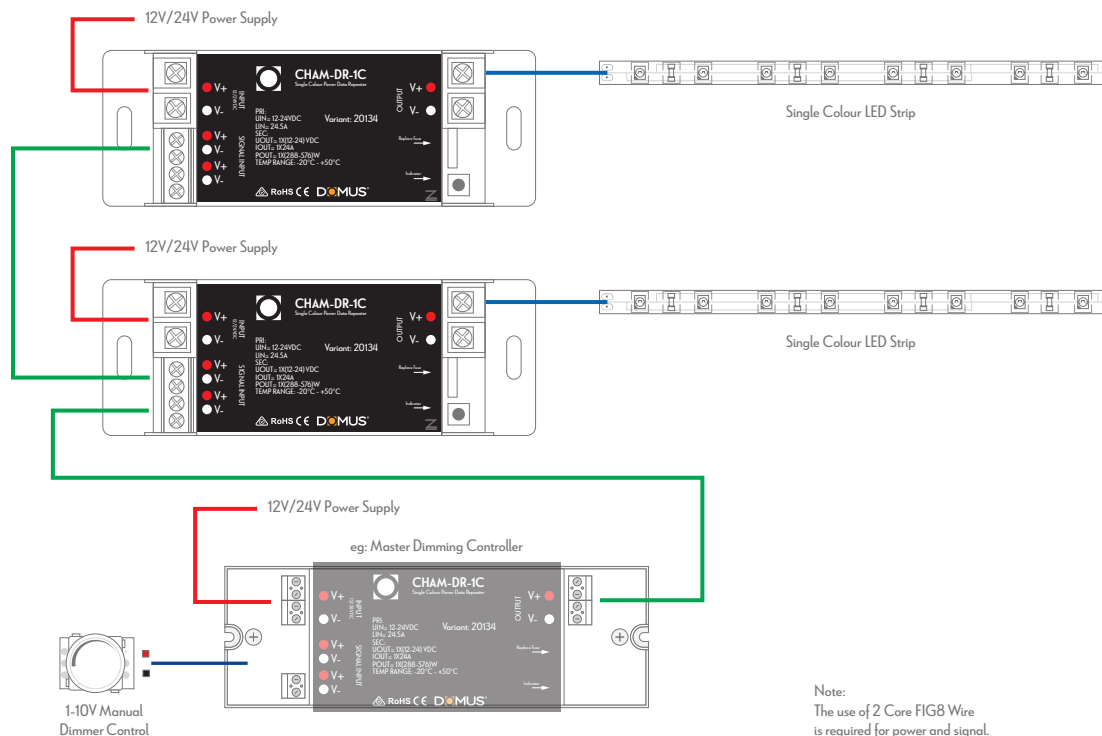
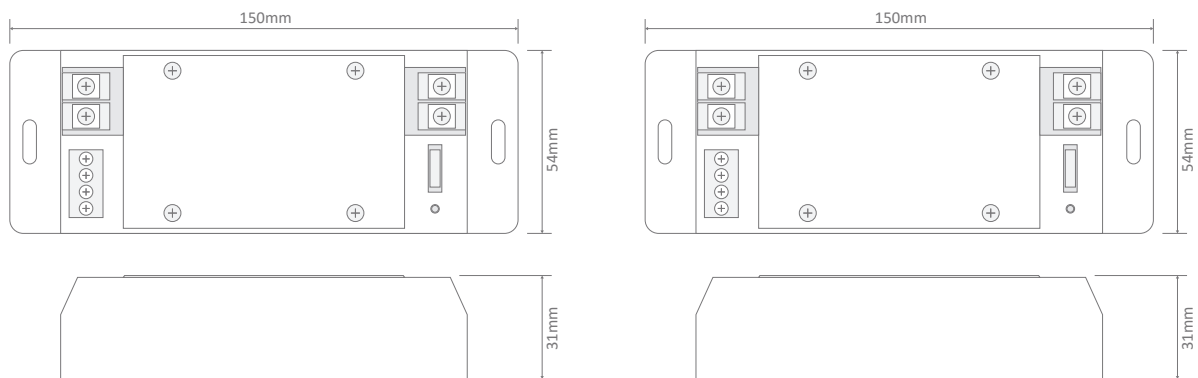
Input Signal:	PWM* Via Master Controller		
Input voltage (VDC):	12-24VDC	Output current (A):	1x24A
Output voltage (VDC):	12-24VDC	Output wattage (W):	12VDC- 288W (x1) 24VDC- 576W (x1)
Expandable signal:	Yes**	Protection:	Yes, replaceable external 25A blade fuse***
Requires:	Constant voltage 12-24VDC LED driver****		

* Accepts signal generated from a Master controller. The signal output from the Master controller must be a PWM type output

** Multiple 1CH data repeaters can be used in a single circuit.

*** Standard replacement blade type fuse. Available from any electronics supplier.

**** Constant voltage LED driver required (not included) product dependant.



Note:
The use of 2 Core FIG8 Wire is required for power and signal.

Note: -The lamp must be installed by professional electrician
-Ensure the power supply is switched off before fitting this product

-Do not touch the lamp when in use
-Keep away from hot steam and corrosive gas