

CHAM-DIM-DALI-5C 5 Channel RGB+TW DALI Interface



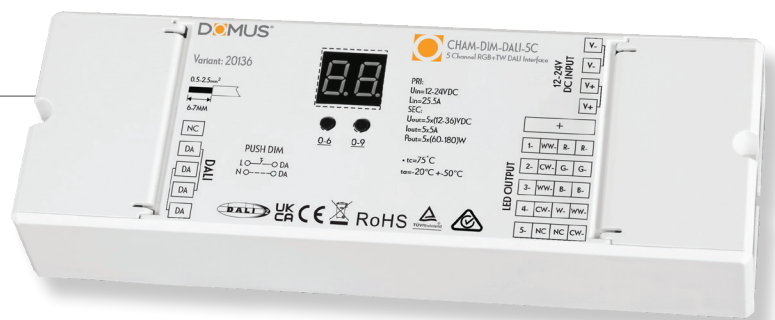
Description

The CHAM-DIM-DALI-5C is an interface designed to suit DALI dim applications. Intended for use with constant voltage 12-24VDC lighting products the CHAM-DIM-DALI-5C offers seamless integration between automation systems. Accepts standard DALI signal generated from any automation system. Featuring 1-5CH of dimming, allowing control over single colour, RGB, RGBW and RGB+TW LED lighting products. The CHAM-DIM-DALI-5C makes integration a breeze with options for Auto addressing or manual addressing function.

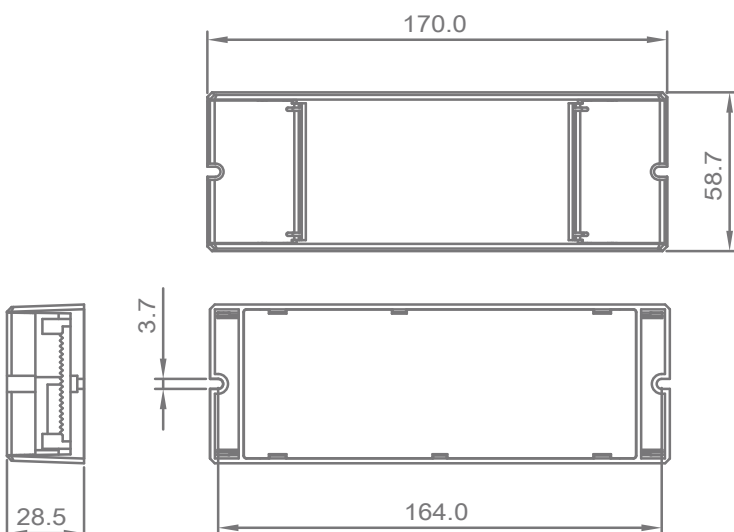
Specification Features

Type of interface:	1-5ch dim controller (selectable)
Dimming Range:	0.1%-100%
Method of Control:	DALI Signal
Method of Dimming:	PWM (Pulse Width Modulation)
DALI Consumption:	2mA
Housing colour:	White plastic colour housing
Housing size (mm):	(L) 170mm x (W) 59mm x (H) 29mm
Digital display:	Yes
Input voltage (VDC):	12-24VDC
Output current (A):	5x5A
Output Power (W):	5x(60-180)W
Requires:	Constant voltage 12-24VDC LED driver ***

*** Constant voltage LED driver required (not included) product dependant.



Diagrams / Additional



Item No.	Variant	CCT
CHAM-DIM-DALI-5C	DALI 20136	RGB+TW