

### CHAM-DIM-DALI-4C

Variant	Item No.	Description
20149	CHAM-DIM-DALI-4C	DALI RGBW Interface

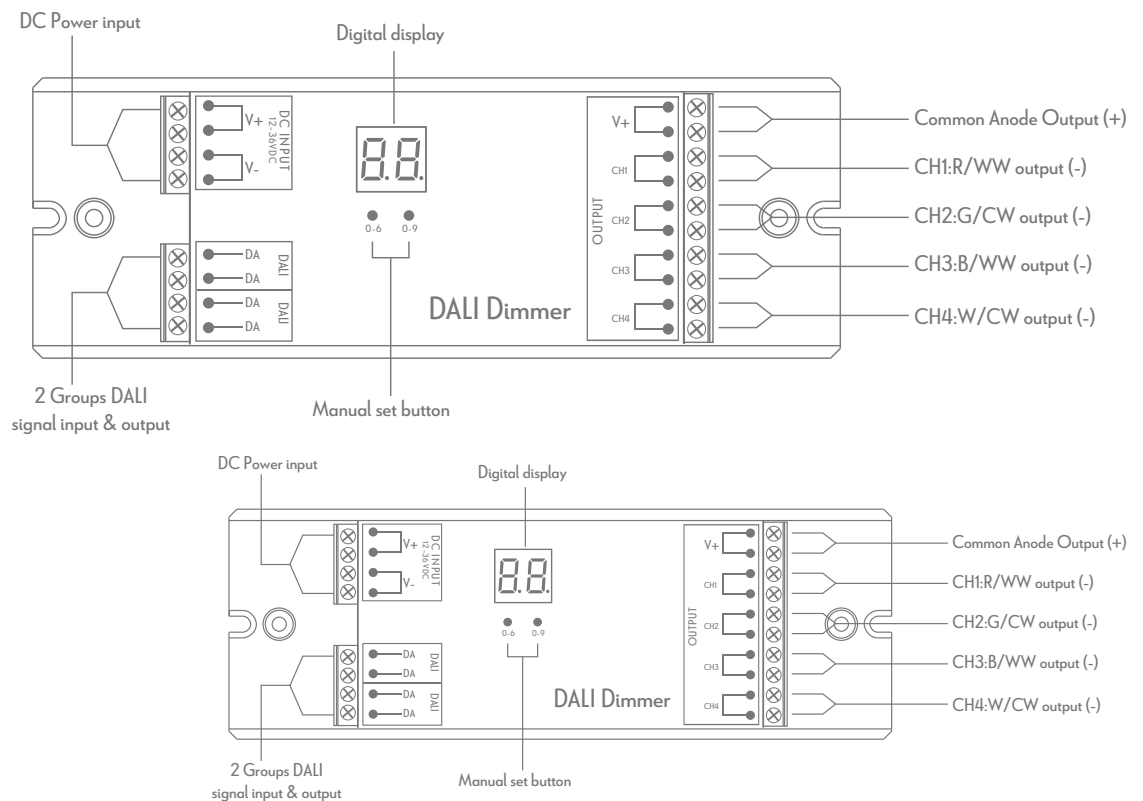
The CHAM-DIM-DALI-4C series DALI RGBW Interface offers seamless integration between automation systems. This unit can be used in PUSH DIMMER mode or addressed to suit a DALI system.

### Specifications

Input Voltage:	12-36VDC	Load Current:	4x8A	Max Load Power:	4x(96-288W)
DALI voltage:	Typical-16V, Maximum-22.5V	DALI current:	2mA	Working Temp:	-20°~+50°
Load Type:	0.04-0.1W LED				

#### DALI dimming parameters (factory default)

Minimum dimming value:	0.1%	Maximum dimming value:	100%
Fade Time:	0	Fade Time:	7



### Operation:

#### Set DALI address manually via buttons

- 1.1 Press and hold down any of the two buttons until numeric digital display flashes, then release the button.
- 1.2 Click any of the two buttons once to select a digit, click again to change the digit until the desired DALI address appears. Click first button to set "tens" position and second button to set "units" position. The address can be set from 00~63.
- 1.3 Then press and hold down any of the 2 buttons until the numeric digital display stops flashing to confirm the setting.

Note: DALI address can be manually assigned from 00-63-FF, by factory defaults, no DALI address is assigned for the dimmer, and the display shows **FF**. Setting DALI address as **FF** will reset the dimmer to factory defaults.

**Note:** -The lamp must be installed by professional electrician  
-Ensure the power supply is switched off before fitting this product

-Do not touch the lamp when in use  
-Keep away from hot steam and corrosive gas

## Installation Manual

### Set DALI address manually via buttons



- 1.1. Press and hold down both of the two buttons until numeric digital display flashes, then release the button.
- 1.2. Click first button to select "1A", "2A", "3A" or "4A" which means 1 address, 2 addresses, 3 addresses or 4 addresses.
- 1.3. Then press and hold down any of the 2 buttons until the numeric digital display stops flashing to confirm the setting.

<sup>1</sup> For example, when we set address to 22:

When selecting 1A, all four channels will be the same address 22.

When selecting 2A, channel 1 & 3 will be the same address 22, channel 2 & 4 will be the same address 23.

When selecting 3A, channel 1, 2, 3 will be address 22, 23, 24 respectively, and channel 4 address is also 24.

When selecting 4A, channel 1, 2, 3, 4 will be address 22, 23, 24, 25 respectively.

### DALI Address Assigned By DALI Masters

DALI address can also be assigned by DALI Master controller automatically, please refer to user manuals of compatible DALI Masters for specific operations.

Note: The digital display will show **AU** when the DALI master is assigning addresses.

