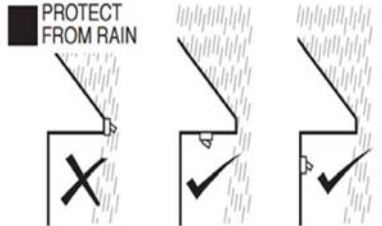
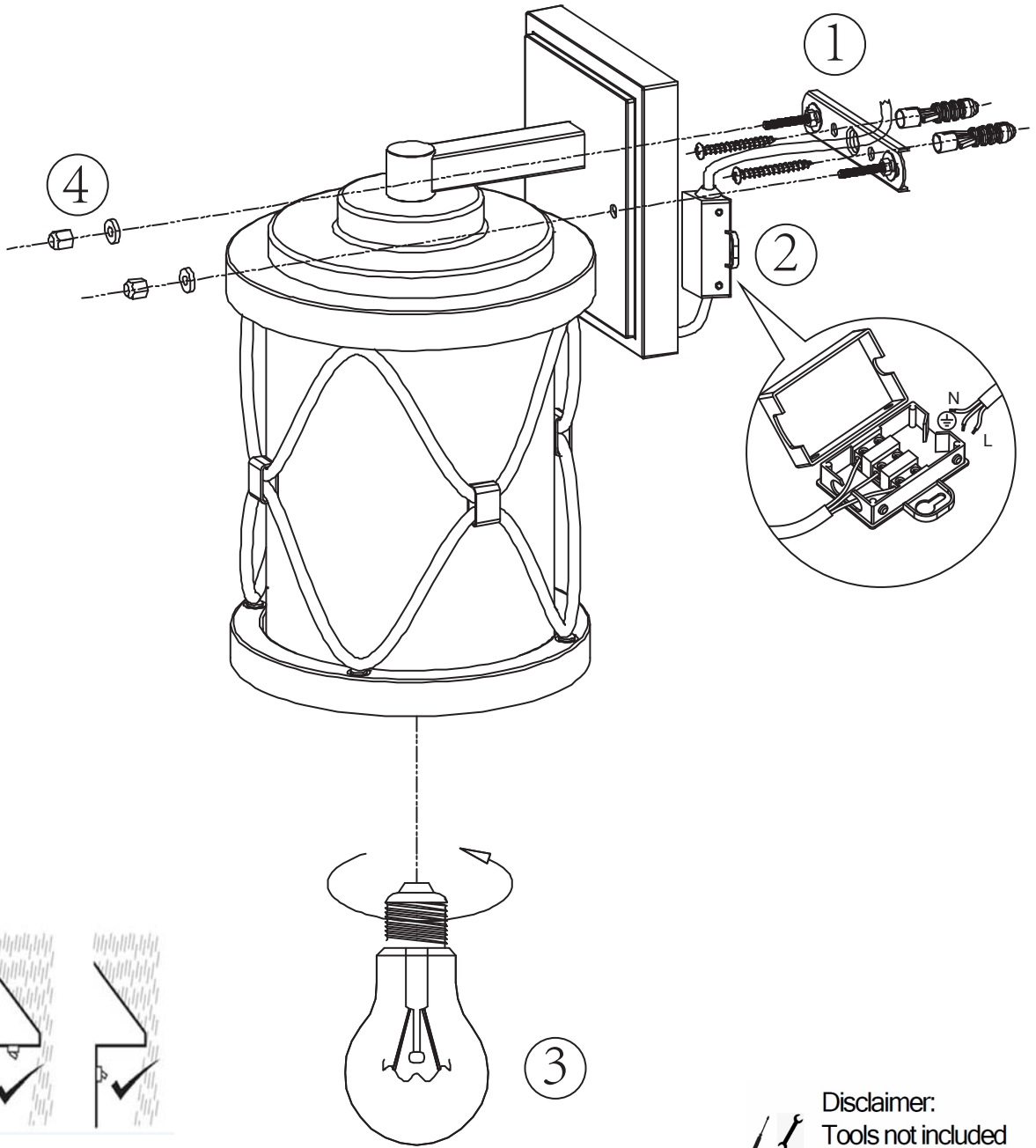


# ITEM NO.: CAPSTAN EX25/35



- Disclaimer:
- Tools not included
  - Shade ring attached on lamp holder
  - Globe(s) not included

**IMPORTANT**  
Must be installed by a qualified electrical contractor.  
Install in accordance with AS/NZS3000



**Telbix.**

240V ~ 50Hz E27 Max.25W x1

NOTE: GLOBE NOT INCLUDED