



INSTALLATION MANUAL

THIS CEILING FAN MUST BE INSTALLED BY A QUALIFIED ELECTRICIAN, AND AN ELECTRICAL SAFETY CERTIFICATE MUST BE ISSUED ON COMPLETION OF THE INSTALLATION

Congratulations on the purchase of your new quality Brilliant Ceiling Fan. Before first using, it is most important that you read and follow the instructions in this Installation Manual, even if you feel you are quite familiar with this type of product.

Find a place and keep this manual handy for future reference.

Model Name: VECTOR DC CEILING FAN WITH AND WITHOUT LIGHT			
Code	Colour	Size	Light
22687/05	Pure White	48" (1220mm)	N/A
22687/06	Matt Black	48" (1220mm)	N/A
22689/05	Pure White	52" (1320mm)	N/A
22689/06	Matt Black	52" (1320mm)	N/A
22691/05	Pure White	56" (1420mm)	N/A
22691/06	Matt Black	56" (1420mm)	N/A
22693/05	Pure White	48" (1220mm)	18W LED CCT
22693/06	Matt Black	48" (1220mm)	18W LED CCT
22695/05	Pure White	52" (1320mm)	18W LED CCT
22695/06	Matt Black	52" (1320mm)	18W LED CCT
22697/05	Pure White	56" (1420mm)	18W LED CCT
22697/06	Matt Black	56" (1420mm)	18W LED CCT

Note:

A wall controller option for this fan is available and is sold separately. Enquire model **DCWALLCONTROL** for more details.

IMPORTANT SAFEGUARDS

Read all instructions carefully, even if you feel you are quite familiar with this type of appliance.

When using electrical appliances, in order to reduce the risk of fire, electric shock, and/or injury, these basic safety precautions should always be followed:

1. This appliance **MUST** be installed by a Qualified Electrical Contractor in accordance with the local regulations, and all local, state and national electrical codes. Any alterations or additions to building wiring must be completed by a licensed electrical contractor, or person authorised by legislation to work on the fixed wiring of any electrical installation.
2. The ceiling fan must be connected to a 220-240V AC 50Hz power supply.
3. All electrical work must only be undertaken after disconnection of the power by removing fuses or turning off the circuit breaker, to ensure all pole isolation of the electrical supply.
4. The fan must be earthed.
5. The fan must be installed so that the blades are more than 2.1 metres above the floor.
6. The structure that the ceiling fan is connected to must be capable of supporting a weight of at least 45kg. The fixing must be able to support the moving weight of the fan and must not twist or work loose.
7. Make sure that the installation site will not allow the rotating fan blades to come into contact with any object and that there is a minimum clearance of 150mm (6") from the blade tip to the wall or ceiling. Please note that the bigger this clearance is the better the airflow from your fan will be.
8. **DO NOT** use outdoors unless covered. Refer to Warranty terms for Alfresco use.
9. **DO NOT** connect the fan motor to a dimmer switch. This may damage the motor. Use **ONLY** the provided wall controller (If applicable).
10. This appliance is not intended for use by young children or infirm persons without supervision.
11. Young children should be supervised to ensure they **DO NOT** play with the appliance.
12. It is not recommended that ceiling fans and gas appliances be operated in the same room at the same time.
13. Suggest turn the fan speed to lower rate (eg. #1 or #2) before reversing the fan direction. This will prevent any damage to the motor of the fan or controller.
14. Do not insert anything into the fan blades whilst they are spinning. This will damage the blades and upset the balance of the fan causing the unit to wobble.
15. After the fan is completely installed make sure that all base and fan blade fixations are secured and tightened to prevent any problems.
16. Because of the fan's natural movement, some connections may loosen. Check the support connections, brackets and blade attachments twice a year to make sure they remain secured. If any are loose, tighten.
17. **DO NOT** use a solid-state dimmer type fan controller. Use **ONLY** the provided switch controller for fan speed control (If applicable).
18. An all-pole disconnection incorporated in the fixed wiring is to be provided, such as a n all-pole switch or a supply cord fitted with a plug.
19. Beware of height installation closure.
20. A blade balancing kit is included. Ensure blades are balanced immediately after installation to reduce wobble and noise

IMPORTANT NOTE:

The important safeguards and instructions given in this manual are not meant to cover all possible conditions and situations that may occur. It must be understood that common sense, caution and care are factors which cannot be built into any product. The persons caring for and using the unit must supply these factors.



FAST INSTALLATION

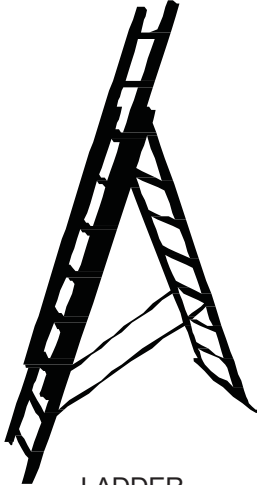
OUR FANS ARE 90% PRE-ASSEMBLED STRAIGHT OUT OF THE BOX

Fast Installation – 3 Easy Steps

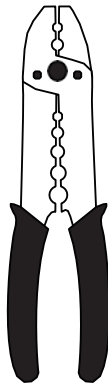
1. Install mounting bracket and make electrical wiring connections.
2. Assembled all Ezi-Fit blades, and hang the fan.
3. Plug fan motor and light wiring together and secure canopy/light diffuser.

Installation is complete!

SUGGESTED TOOLS NEEDED



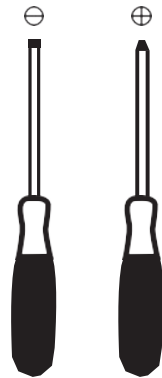
LADDER



WIRE STRIPPERS



SNUB NOSE
PLIERS



SCREWDRIVERS



**MUST BE INSTALLED
BY A LICENSED
ELECTRICIAN**

CONTENTS

UNPACKING

- Preparation & Part list

INSTALLATION

- Choosing a suitable location
- Mounting the hanging bracket
- Connecting Main Power Supply to terminal
- Fan Blade assembly
- Hanging the fan & Connect all wiring
- Secure top canopy & Light diffuser (Model with light only)

CONTROLLERS

- Remote Controller Operations
- Installation & Setup
- Select LED CCT and Wall Controller Setup

MAINTENANCE

- Care & cleaning
- Noise
- Wobble
- Normal wear & tear
- Ripple control filter

TROUBLESHOOTING

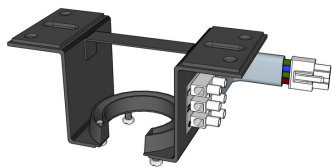
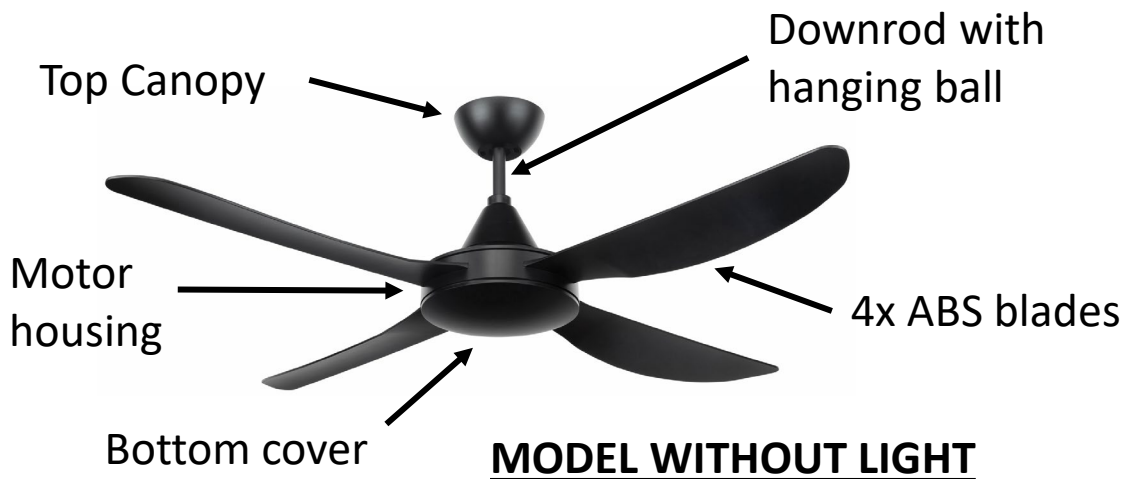
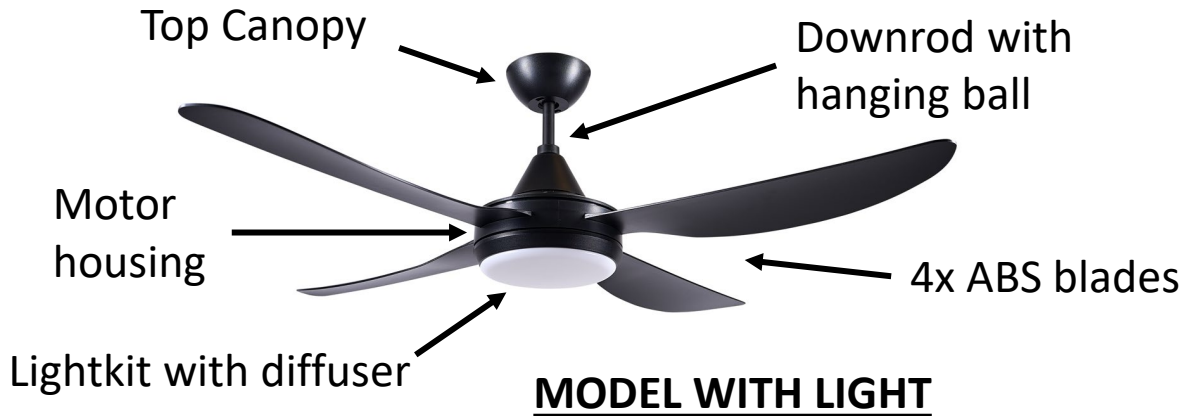
- Technical data
- Spare parts & Accessories

WARRANTY

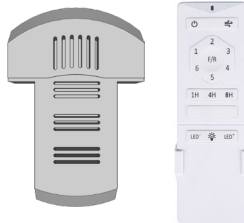
UNPACKING

PREPARATION: Part List

- Unpack your ceiling fan carefully, and dispose of the packaging materials thoughtfully. Place all parts and components, on a cloth or soft surface to avoid damage. DO NOT lay the motor housing on its side, the housing may get damaged.
- Before commencing installation, check that all parts are included. NB: You may need to remove all packaging material to ensure there are no missing components.



Hanging bracket with wiring plugs



Receiver & Remote set

Hardware Bag

For Mounting Plate:

- | | | | |
|-------------|----|--|--|
| Flat Washer | x2 | | |
| Wood Screw | x2 | | |

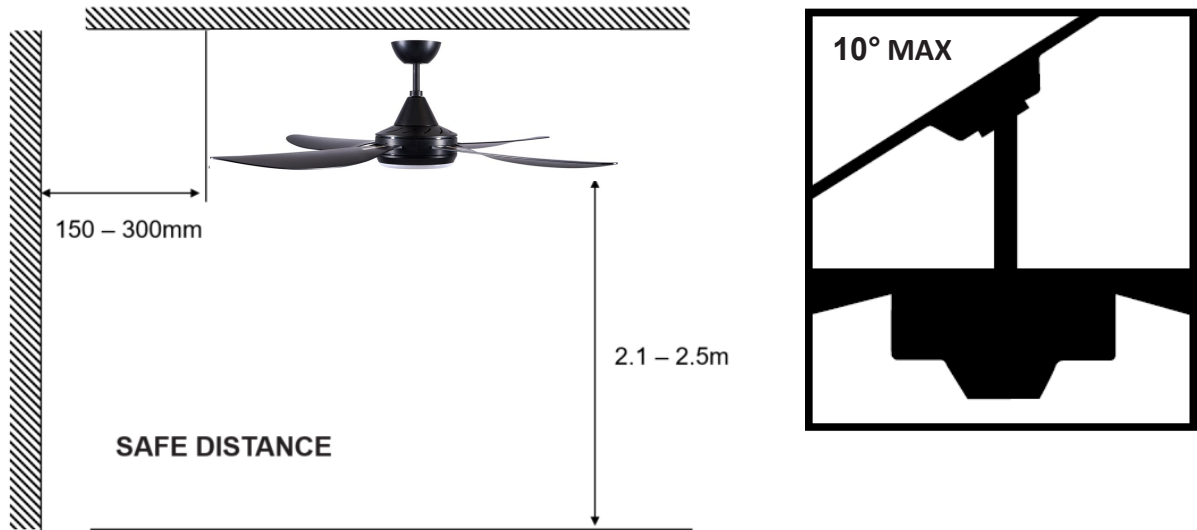
For Blade Balance :

- | | | |
|-----------------------|-----|--|
| Balancing Slide | x 1 | |
| Weight block (3G x 2) | | |

INSTALLATION

CHOOSING A SUITABLE LOCATION:

- Ceiling fans should be installed in the middle of the room, with a safe distance of at least 2.1m from floor, and 150mm from wall.
- An extension rod may be required for rake ceiling installation or high ceiling.

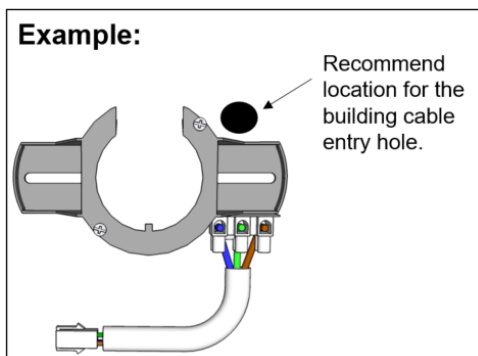


CAUTION: Before installing the fan, make sure you have turned **OFF** the electricity supply.

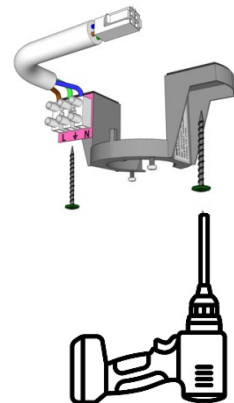
MOUNTING THE HANGING BRACKET

- Secure the hanging bracket to the ceiling joist or suitable structure that is capable of carrying a load of at least 45kg, with the two long fixing screws provided. Ensure that at least 30mm of the screw is threaded into the support.

NB: The fixing screws included are designed for use when ceiling fan is secured onto timber joists. For all other surfaces, additional and suitable fixing screws for that surface will need to be purchased separately.



NOTE: Ensure building cable will enter the canopy close to terminal block. DO NOT enter the building cable direct on top of the hanging ball area.

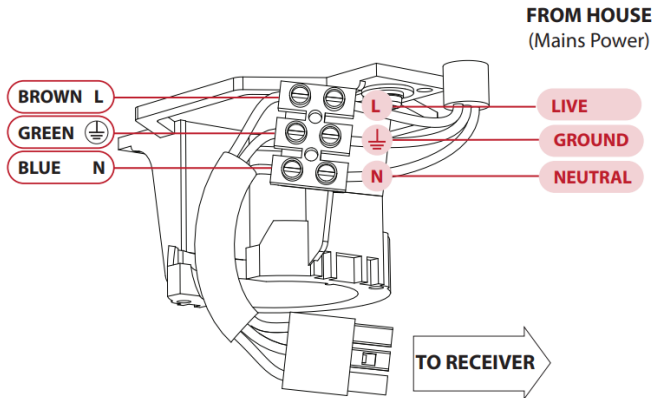


- Make sure that the position of installation will not allow the blades to come into contact with any object. The fan must be mounted so that the tips of the blades are **at least** 2.1 metres above the floor.

INSTALLATION

CONNECTING MAIN POWER SUPPLY TO TERMINAL

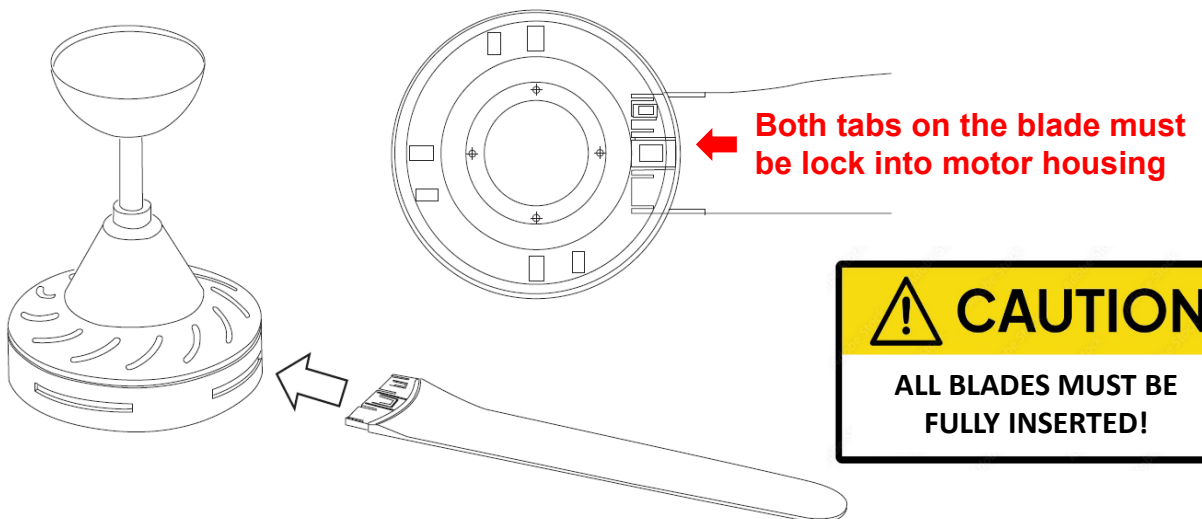
- The building cable should enter the canopy as close as possible to the terminal block.
- Connect the mains supply **L-Active, N-Neutral & Earth (Ground)** cable to the terminal at mounting bracket as per marking on it. Ensure connections are firm and secure. For your convenience, and to assist in easy installation & cleaning, your ceiling fan are connected with Brilliant's easy connect system. Simply connect the male and female plugs, and then ensure remote control receiver and all excess wiring is retained inside the ceiling canopy. **Ensure to installed a wall isolation switch (NOT INCLUDED).**



FAN BLADE ASSEMBLY

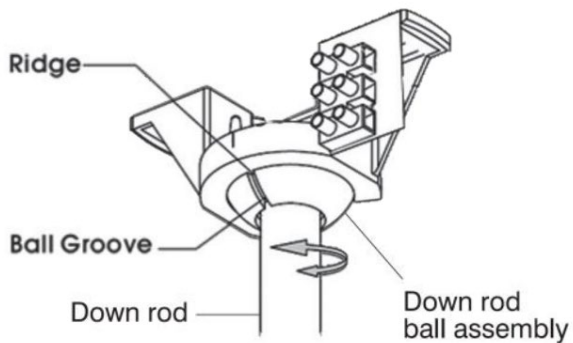
Carefully placed the fan motor housing onto a cloth on a flat surface, and follow below steps:

1. Push the Ezi-Fit blades into the slots to lock - No tools or screws needed for blade assembly.
2. Ensure blades are fully inserted – A positive click will be heard when blade locking tabs engage.



INSTALLATION

HANGING THE FAN & CONNECT ALL WIRING



Carefully lift the fan up and place the downrod ball onto the hanging bracket.

Turn the ball until it sits inside the ridge. This is to prevent the ball from moving.

Slide the receiver into the hanging bracket, and connect all wiring plugs.

Tuck all the wires inside the top canopy.

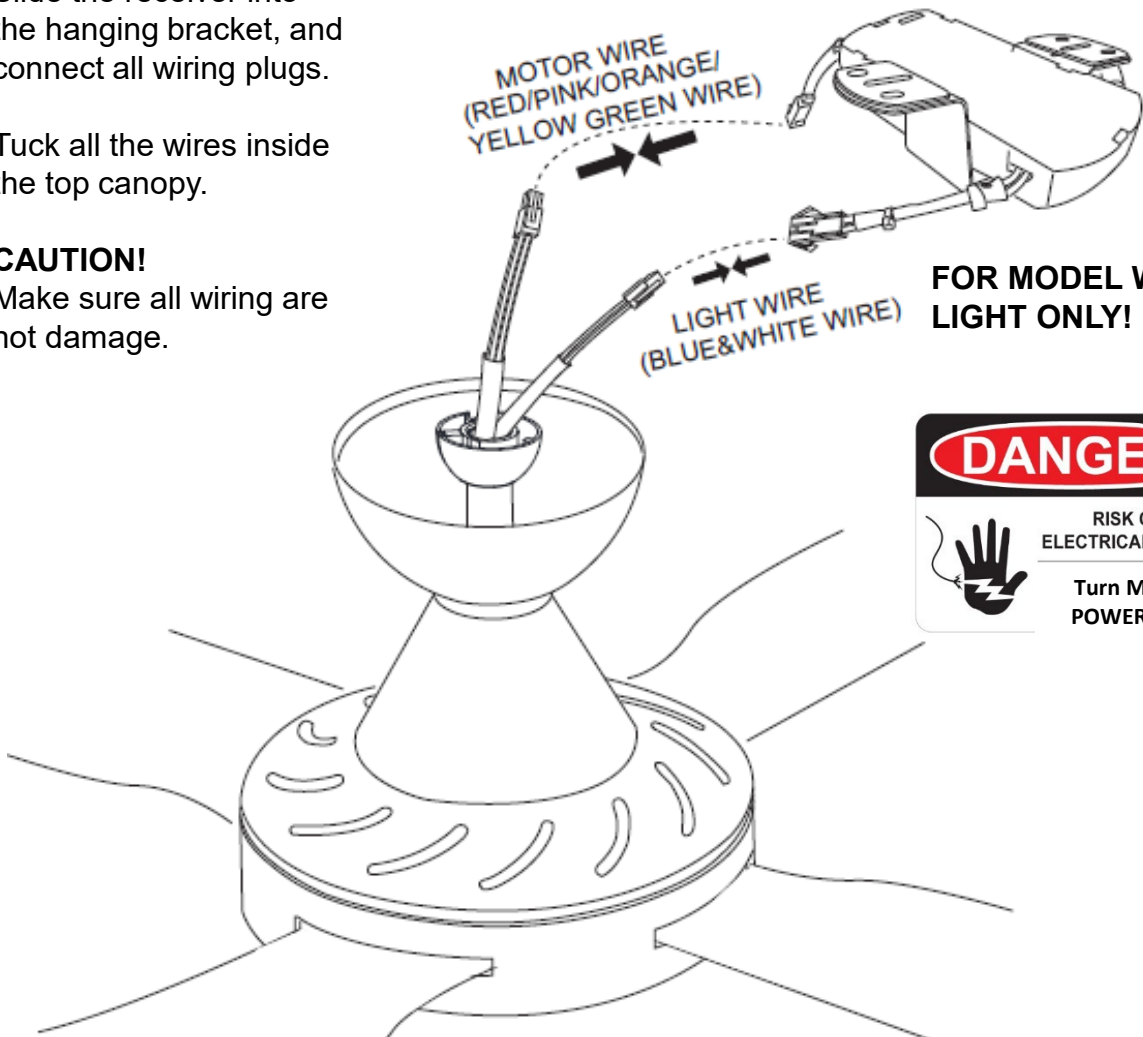
CAUTION!

Make sure all wiring are not damage.

MOTOR WIRE
(RED/PINK/ORANGE/
YELLOW GREEN WIRE)

LIGHT WIRE
(BLUE & WHITE WIRE)

**FOR MODEL WITH
LIGHT ONLY!**

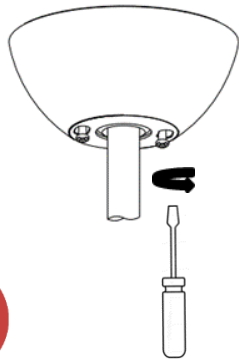


INSTALLATION

SECURE TOP CANOPY AND LIGHT DIFFUSER (MODEL WITH LIGHT ONLY)

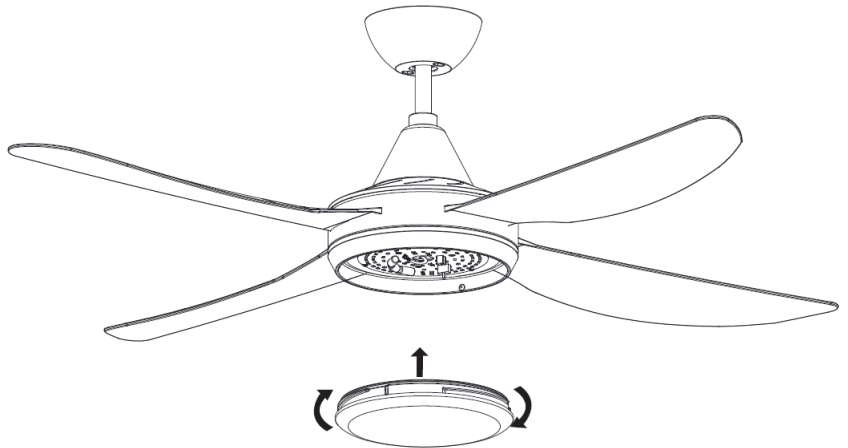
Carefully slide the canopy up to cover the hanging bracket and ball joint, taking care not to damage any wires. Once in position, secure the canopy with the screws provided.

Install the light diffuser by turning clockwise direction until it is fully secured

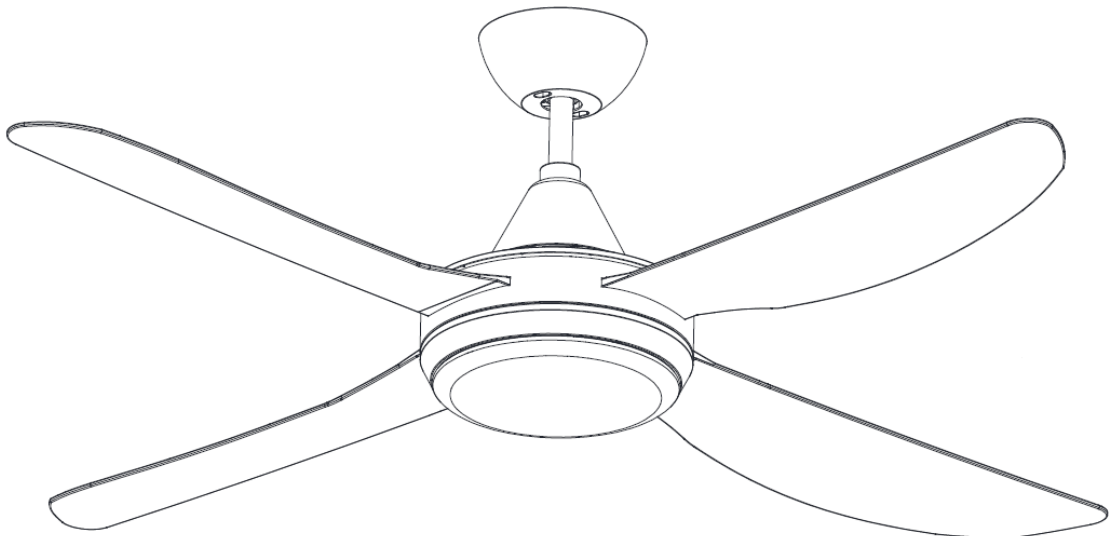


CAUTION!

Do not use power tools to tighten the screws!



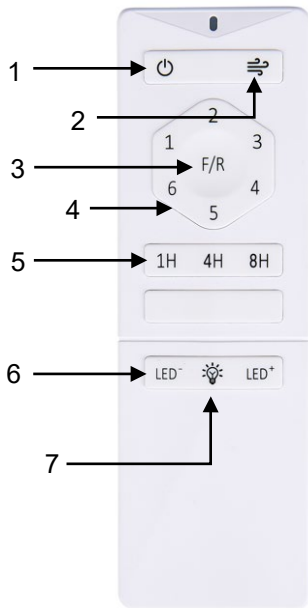
FINISH INSTALLATION (SHOWN BELOW MODEL WITH LIGHT)



Installation is now complete.
Turn ON mains power.
Your fan is ready to use.

REMOTE CONTROLLER

OPERATIONS



Remote Control Buttons:

1. Fan OFF button.
2. Windbreeze
3. Forward / Reverse
4. Fan ON & Speed button:
 - 6 – Speed 6 (highest).
 - 5 – Speed 5.
 - 4 – Speed 4.
 - 3 – Speed 3.
 - 2 – Speed 2.
 - 1 – Speed 1 (Lowest)
5. Timer 1hr/4hr/8hr (Fan only)
6. LED dimming
7. Light ON/OFF



Wall holder



2x AAA Battery

- Choose a suitable location and install the wall mount remote control holder
- Drill two holes in the wall using the holes in the wall mount remote control holder as a template. Note: exercise caution to avoid drilling into existing electrical wiring!
- Use screws and suitable fixture system to attach the bracket to the wall securely. **NOTE: Ensure wall mount holder is level.**
- Remove the battery cover and insert 2x AAA battery into the remote control transmitter and ensure the battery orientation is correct. Replace the battery cover removed previously.

SETUP

The remote controller transmitter and receiver have been factory pre-set/paired and ready to be used immediately. If require to re-pairing the transmitter and receiver, follow below instruction:

1. Turn the ceiling fan main switch power Off for 30 seconds.
2. Turn the ceiling fan main switch power ON, and you will hear a Beep sound then within 3 seconds press and hold the Fan OFF button.
3. Wait until the receiver emitted a Beep sound then let go the button and the pairing process is completed.
4. If the pairing process un-successfully, then repeat step 1 to step 3. (Note: Ensure the batteries have enough power)

NOTE:

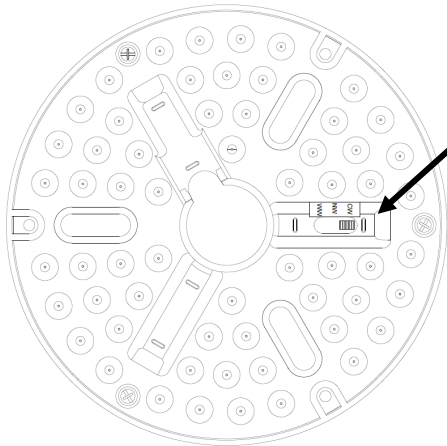
To change the light colour temperature, select the desire color on the LED array switch. Refer to next page for more information.

SETUP FOR MULTIPLE FANS

The remote controller transmitter can be used to control multiple receivers.

1. On the ceiling fan you want to pair, turn the main switch power OFF for at least 30 seconds.
2. Turn the ceiling fan you want to pair main switch power ON, and you will hear a Beep sound then within 3 seconds press and hold the Fan OFF button.
3. Wait until the receiver emitted a Beep sound then let go the button and the pairing process is completed.
4. If the pairing process un-successfully, then repeat step 1 to step 3.

SELECT LED CCT LIGHT



WW / CW / NW

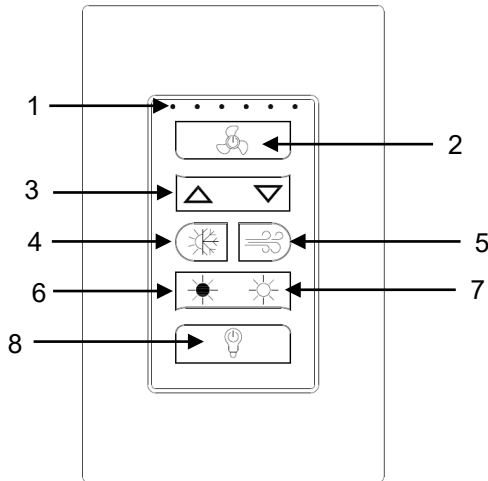
The switch to select your desire color temperature are located on the LED array.

1. **WW (WARM WHITE) – 3000K**
2. **CW (COOL WHITE) – 4200K**
3. **NW (NATURAL WHITE) – 6000K**

WARNING!

MAKE SURE THE LIGHT IS TURN OFF BEFORE SELECTING THE CCT SWITCH

WALL CONTROLLER (OPTIONAL – SOLD SEPARATELY)



1. Fan Speed Indication light.
2. Fan OFF button
3. Fan ON & Speed Change button:
 - Up (change to higher)
 - Down (change to lower)
4. Forward/Reverse button
5. Windbreeze button
6. LED light dimming down
7. LED light dimming up
8. Light ON/OFF button

INSTALLATION & SETUP

1. Choose a suitable location to install the wall controller (**optimal working distance is 5-8m from fan**)
2. Drill/Cut holes in the wall using the standard C-Clip plaster wall bracket as a template (not included).
3. Perform wiring according to **L-Active, N-Neutral & Earth (Ground) cable** to the terminal hole.
4. Screws the wall controller housing to the C-Clip bracket, and attached the cover back to the housing.

Note: Exercise caution to avoid drilling/cutting into existing electrical wiring!

This wall controller needs to be re-paired with the fan receiver. Follow below instruction to setup:

1. Turn the ceiling fan main switch power Off for 30 seconds.
2. Turn the ceiling fan main switch power ON, and you will hear a Beep sound then within 3 seconds press and hold the **FAN OFF** button.
3. Wait until the receiver emitted a long Beep sound then let go the button and the pairing process is completed.
4. If the pairing process un-successfully, then repeat step 1 to step 3. (Note: Ensure the wiring is correct)

MAINTENANCE

CARE & CLEANING

- Periodic cleaning of your ceiling fan is the only maintenance required.
- Use a soft brush or lint free cloth to avoid scratching the finish. Please turn off electricity when you do so.
- Do not use water when cleaning your ceiling fan. It could damage the motor and create the possibility of an electrical shock.
- The motor has a permanently lubricated ball bearing, and as such is maintenance free.

NOISE

- The manufacturer warranty covers actual faults that may develop, but NOT minor complaints, e.g. hearing slight noise from motor in operation - ALL ELECTRIC MOTORS ARE AUDIBLE TO SOME EXTENT, more so, when the fan is operating at low speeds.

WOBBLE

- Ceiling fans are mounted very securely on steel brackets with rubber cushioning or with ball joints to allow free movement.
- Ceiling fans are designed to move during operation because they are not generally rigidly mounted - if they were, they could generate excessive ceiling vibration and stress on their mountings.
- Movement of a couple of centimetres is quite OK and does not suggest the fan will fall down.
- Please note that all ceiling fans are not the same, even in the same model - some may move more or less than others.

NORMAL WEAR AND TEAR:

- Threaded components working slightly loose or blade carriers even slightly bent due to vigorous cleaning or bumping can cause extra wobble and noise. THIS IS NOT COVERED UNDER WARRANTY but a little care and maintenance can reduce or prevent this problem.

RIPPLE CONTROL FILTER:

- In parts of Australia (NSW and QLD), the power company superimposes a signal voltage onto the mains household voltage. This signal voltage is used to remotely control consumer's electric hot water heaters and other devices throughout the surrounding area.
- Unfortunately this signal can appear at the ceiling fan as a loud intermittent "hum". If this noise is apparent please contact your local Electricity service provider on how they can assist to provide rectification, usually in the form of a mains supply ripple filter to filter out this signal.

ENVIRONMENTAL PROTECTION:

This electrical product should not be disposed as normal waste. Please always recycle! Check with your Local Council about your recycle options.



TROUBLESHOOTING

TROUBLE	PROBABLE CAUSE	SUGGESTED REMEDY
Fan/Light will not start	A Fuse or circuit breaker has blown.	A Check main and branch circuit breakers
	B Loose wire connections to the fan.	B Check line wire connections to the fan.
	C Speed controller not in the correct position.	C Check speed controller's position.
Fan wobbles	A Fan blades are not horizontal to the ceiling.	A Re-tighten all screws on blades. Do not make any adjustments by applying pressure up or down on blades.
	B Blade screws are loose.	B Make sure all screws are tightened.
Fan sounds noisy	A Loose fan blades.	A Retighten all screws on fan.
	B Ceiling fan not secured against ceiling.	B Retighten all screws in the hanging bracket.
	C Incorrect speed controller.	C Change speed controller to the one supplied with the unit.
Mechanical noise	A Fan has not settled in fully.	A Allow at least 8 hours settling in period.
Wall/Remote Control	A Wall/Remote control not respond. The LED indicated light blinking when press and hold the button.	A Check the batteries orientation is correct (on remote) / Check wiring (on wall controller) B Replace with new batteries (on remote)

TECHNICAL DATA

Size (blade sweep)	Size (fan drop to blades)	Rated Voltage	Rated Fan Power	Rated Light Power	Fan weight
48 - 56 INCH (1220 - 1420mm)	290mm	220-240V AC 50Hz	40W DC	18W	8kg Approx

SPARE PARTS & ACCESSORIES

Controller Set	LED Light 18W CCT	Wall Controller	LED Light Diffuser	Extension Rod With Wiring loom	
22687SP001 (No Light)	22693SP002 (LED module)	DCWALLCONTROL	22693SP003 (Acrylic diffuser)	100550/05 (90cm White)	100550/06 (90cm Black)
22693SP001 (With Light)				21912/05 (180cm White)	21912/06 (180cm Black)

WARRANTY

Please note, this warranty voids any other warranties supplied with this product and complies with the new consumer guarantee requirements.

The benefits conferred by this warranty are in addition to all implied warranties, other rights and remedies in respect of the product, which the consumer has under Australian Consumer Law.

The original purchaser of this Brilliant Ceiling Fan is provided with the following warranty subject to the Brilliant Warranty terms and conditions as found on the Brilliant website and the following conditions.

Brilliant Lighting (Aust) Pty Ltd warrants this ceiling fan motor for a period of 6 years from the date of purchase, the first 3 years are covered by an In-home warranty. All parts deemed defective in workmanship or materials will be replaced free of charge. Remote controllers, Wall controllers and Light fittings are subject to Limited warranty status.

PARTS	TOTAL WARRANTY PERIOD	IN-HOME SERVICE PERIOD
Ceiling Fan Motor	6 YEARS	3 YEARS
Remote Controller Set	2 YEARS	2 YEARS
Light Fittings	1 YEARS	1 YEARS

**Consumable items such as Batteries and Light Globes will not be covered by this warranty.*

This warranty is in addition to any other rights and remedies of the customer under any law. In applications not intended for household, personal or domestic use, liability is limited to replacement or reimbursement of product only.

The warranted use of fans outdoors are limited to Enclosed Alfresco like areas where conditions are similar to indoor installations.

The warranty conditions for fans installed in Enclosed Alfresco areas are as follows:

- * *Fan must be shielded from wind and rain (enclosed area, min. 1.5m from edge of eave/roof).*
- * *The warranty will cover open circuit motor faults, and remote control faults if not related to outdoor exposure.*
- * *The Warranty will not cover outdoor related issues such as rusting, or failure clearly caused by water, moisture or wind.*
- * *The Warranty will not cover external appearance or finish of any part of the ceiling fan.*
- * *The Warranty will not cover wooden blades. These are recommended only to be used indoors.*

The warranty does not cover Ripple Control noise/interference (identified by a periodic or intermittent hum). This must be addressed with your energy service provider.

The warranty does not cover noises or faults due to poor installation or failure to balance fans as per instructions.

Our goods come with guarantees that cannot be excluded under the Australian Consumer Law. You are entitled to a replacement or refund for a major failure and compensation for any other reasonably foreseeable loss or damage. You are also entitled to have the goods repaired or replaced if goods fail to be of acceptable quality and the failure does not amount to a major failure.

Any claim under this warranty must be made within the warranty period of the date of purchase of the product. To make a warranty claim please refer to the Warranty Claim Form on the Brilliant Website: www.brilliantlighting.com.au

This warranty is given by:

Brilliant Lighting (Aust) Pty. Ltd.

ABN 37 006 203 694

956 Stud Road Rowville, VIC 3178

Phone: 03 9765 2555

Email: warranty@brilliantlighting.com.au

MADE IN CHINA

