



Installation instructions for Ceiling Fan Remote Control

Model No
99222

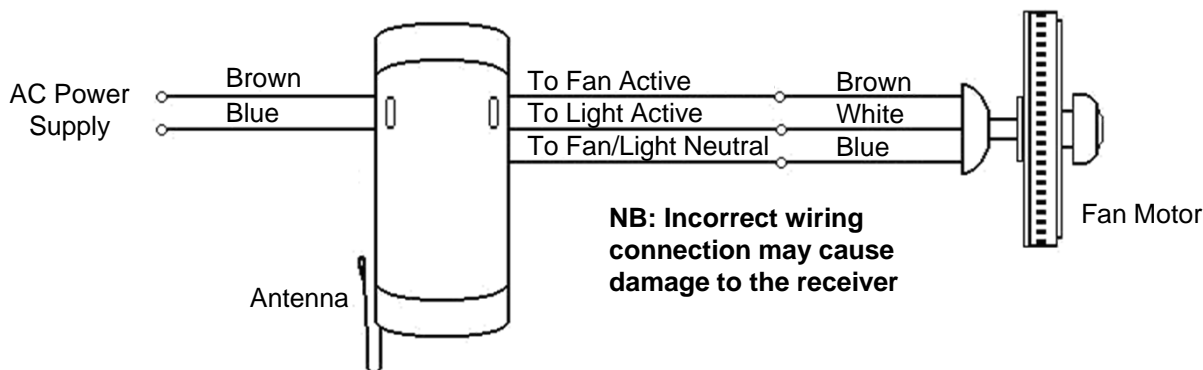
MUST BE INSTALLED BY A QUALIFIED ELECTRICAL CONTRACTOR

FOR YOUR SAFETY:

- Read all instructions carefully, even if you feel you are quite familiar with this unit.
- All fixed wired equipment must be installed by a qualified electrical contractor.
- The supply to the remote control receiver should be connected through a switch, ie. existing wall switch.
- Disconnect the power supply before working on the remote control receiver or ceiling fan.
- Install receiver into the ceiling fan canopy to ensure proper protection.
- The receiver is to be connected to a 230-240V 50Hz supply and used for the control of ceilings fans only.
- Do not install in damp locations. Never immerse in water or allow either component to become wet.
- This unit is for indoor use only.
- Do not modify this unit in any manner.
- Do not pull or cut the leads on the receiver.
- Take care with your unit and take care not to drop the remote or receiver.
- The battery within this unit should be replaced at least once a year to avoid leakage and subsequent damage.
- **IMPORTANT: DO NOT DISPOSE OF BATTERY IN FIRE.**

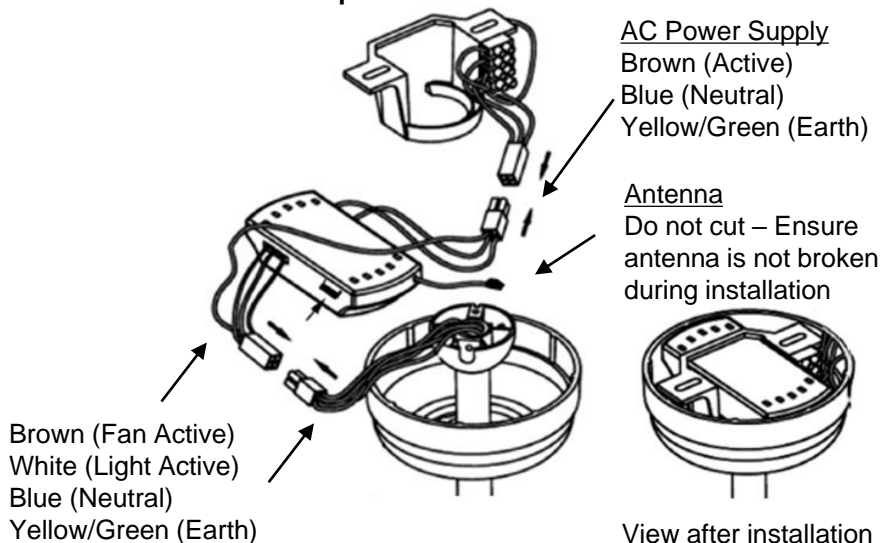
RECEIVER WIRING CONNECTION:

Ensure the receiver is connected correctly in accordance with the following wiring diagram



INSTALLATION:

IMPORTANT: Receiver is not designed to be used together with a Fan Wall Controller. Wall Controller should be removed and replaced with isolation switch.



1. Disconnect mains power before installation.
2. Connect the remote control receiver to the bracket and ceiling fan through quick connectors as per diagram to the left.
3. Set codes same both on receiver and transmitter.
4. Once the connection and codes has been made, insert the receiver into the drop rod hanging bracket. The canopy is then raised to conceal the receiver and bracket.



Installation instructions for Ceiling Fan Remote Control

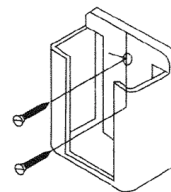
Model No
99222

MUST BE INSTALLED BY A QUALIFIED ELECTRICAL CONTRACTOR

TRANSMITTER AND WALL MOUNT HOLDER:



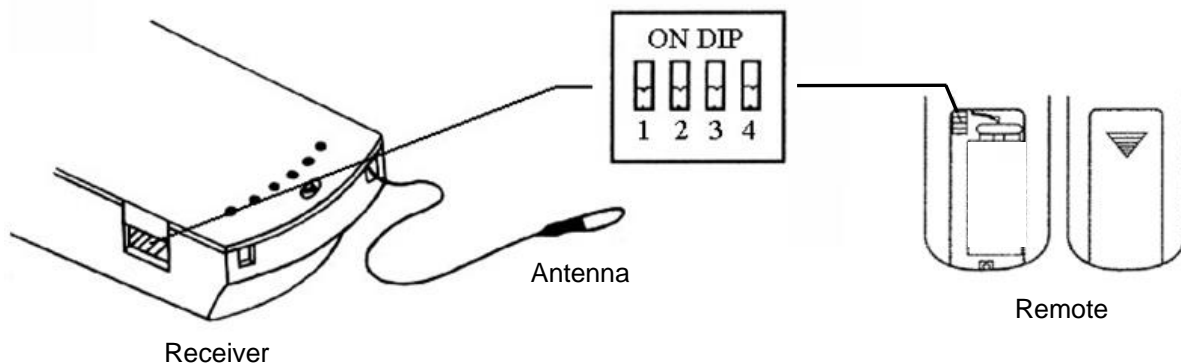
Attach transmitter wall mount to mounting surface using the fixing screws supplied



To remove battery cover, press and slide out

CODE SWITCH:

- Codes are set by pushing dip switches UP or DOWN.
- It is imperative that the code entered is exactly the same for both the transmitter and receiver; otherwise the remote control will not work.
- Please note the code switch will enable you to operate a second remote controller independently. For example, if you have two ceiling fans with 2 remote control units, you can operate each ceiling fan independently by setting 2 different codes for each set of transmitter/receivers.
- Following battery installation, your remote control is ready to use.





Installation instructions for Ceiling Fan Remote Control

Model No
99222

MUST BE INSTALLED BY A QUALIFIED ELECTRICAL CONTRACTOR

TROUBLESHOOTING:

TROUBLE	PROBABLE CAUSES	SUGGESTED REMEDY
1. Fan is not operating or not operating correctly	Mains power not connected.	- Replace fuse or reset circuit breaker. - Turn ON isolation switch.
	Wall controller is not removed and is interfering with remote operation.	- Remove the fan wall controller, and replace with ON/OFF switch for remote
	Battery in the remote is flat	- Replace with new battery. Do not mix up the old and new battery.
	Power to the fan has been switched OFF at the isolation switch.	- Switch isolation switch ON, to power the remote receiver unit.
	Remote Control Receiver wiring is incorrect.	- Verify wiring connections according to label and wiring diagram.
	Transmitter and receiver Pairing (DIP) switches do not match.	- Set transmitter and receiver to same switch setting.
	The remote control is out of range of the receiver.	- Move remote control closer to the receiver
2. Fan operates only at close range	Other devices operating on similar frequency	- Change pairing code switches on both receiver and remote.
	Battery is flat.	- Replace battery with same type (AAA).
3. Fan is operating intermittently, or turning on without remote or not responding.	RF interference or interference from similar ceiling fans in neighbouring buildings.	- Change pairing (DIP) switch settings to a different code. Each pair of transmitter and receiver must have unique DIP switch code.



Installation instructions for Ceiling Fan Remote Control

Model No
99222

MUST BE INSTALLED BY A QUALIFIED ELECTRICAL CONTRACTOR

WARRANTY:

Brilliant Lighting warrants this product against defects in manufacture and workmanship for a period of 1 year from date of purchase or as specified on the packaging. This warranty is only valid for products installed by a qualified electrician and operated within the guidelines specified by Brilliant Lighting, and within the correct operating voltage ranges as stated on the product's rating label.

Warranty does not include damage or loss arising from incorrect installation, operation or maintenance of this product, damage caused through modification, incorrect installation, service by unqualified or unauthorised personnel or lack of regular maintenance and cleaning. Proof of installation by qualified personnel may be required, e.g. Electrical Safety Certificate. Proof of purchase must be supplied with all warranty claims.

This warranty is provided in addition to any other rights and remedies of the customer under any law. In applications not intended for household, personal or domestic use, liability is limited to replacement or reimbursement of product only. Brilliant Lighting does not warranty the costs of removal or re-installation of this product or associated components.

Our goods come with guarantees that cannot be excluded under the Australian Consumer Law. You are entitled to a replacement or refund for a major failure and compensation for any other reasonably foreseeable loss or damage. You are also entitled to have the goods repaired or replaced if goods fail to be of acceptable quality and the failure does not amount to a major failure.

Any claim under this warranty must be made within the specified warranty period from date of purchase of this product. To make a claim under the warranty; at your own expense take the product (with proof of purchase – receipt or similar) to the store where you purchased the product or contact Brilliant Lighting at the address below

This warranty is given by:

Brilliant Lighting (Aust) Pty. Ltd.
ABN 37 006 203 694
956 Stud Road Rowville, VIC 3178
Phone: 03 9765 2555
Email: Warranty@brilliantlighting.com.au
www.brilliantlighting.com.au