



JENKINS LED OVAL BUNKER LIGHT



A modern, slimline oval bunker wall light that illuminates exteriors with bright, even white light. The Jenkins bunker creates 800 lumens of light and has a durable, weather resistant body ensuring it will thrive in outdoor areas.

Modern oval bunker light.

Rust free polycarbonate constructions, making it ideal for coastal areas

Polycarbonate lens.

10W LED producing 800 lumens of bright, cool white light.

3 Year Warranty.

IP54 weather resistant rating for outdoor use

Includes interchangeable black and white rings

APPLICATIONS

- Accent light perfect for illuminating pillars, side of doors, windows, garages and more.
- Suitable for residential and commercial applications



BLACK



ADDITIONAL WHITE RING INCLUDED



JENKINS LED OVAL BUNKER LIGHT

TECHNICAL SPECIFICATIONS

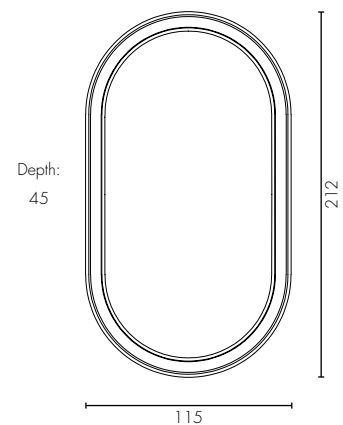
Operating voltage:	220 - 240V / 50Hz
Class:	Class II (2)
Wattage:	10W max
Lumens:	800 lumens
Colour temperature	4200K Cool White
Dimmable:	No
Construction:	UV stabilised polycarbonate housing and diffuser
Ingress protection:	IP54 rated
Warranty:	3 years



INSTALLATION

Must be installed by a licensed electrician

ACCESSORIES

Bonus white ring included



	MODEL	COLOUR	DESCRIPTION	BOX SIZE	GROSS WEIGHT	BOX QTY	BARCODE/TUN
RETAIL BOX	22011/06	Black	Jenkins LED Bunker Light	W210 x H210 x D75 mm	0.30 kg	1 pc	 9 312641 220114 >
OUTER CTN	22011/06	Black	Jenkins LED Bunker Light		2.65 kg	8 pc	 19312641220111