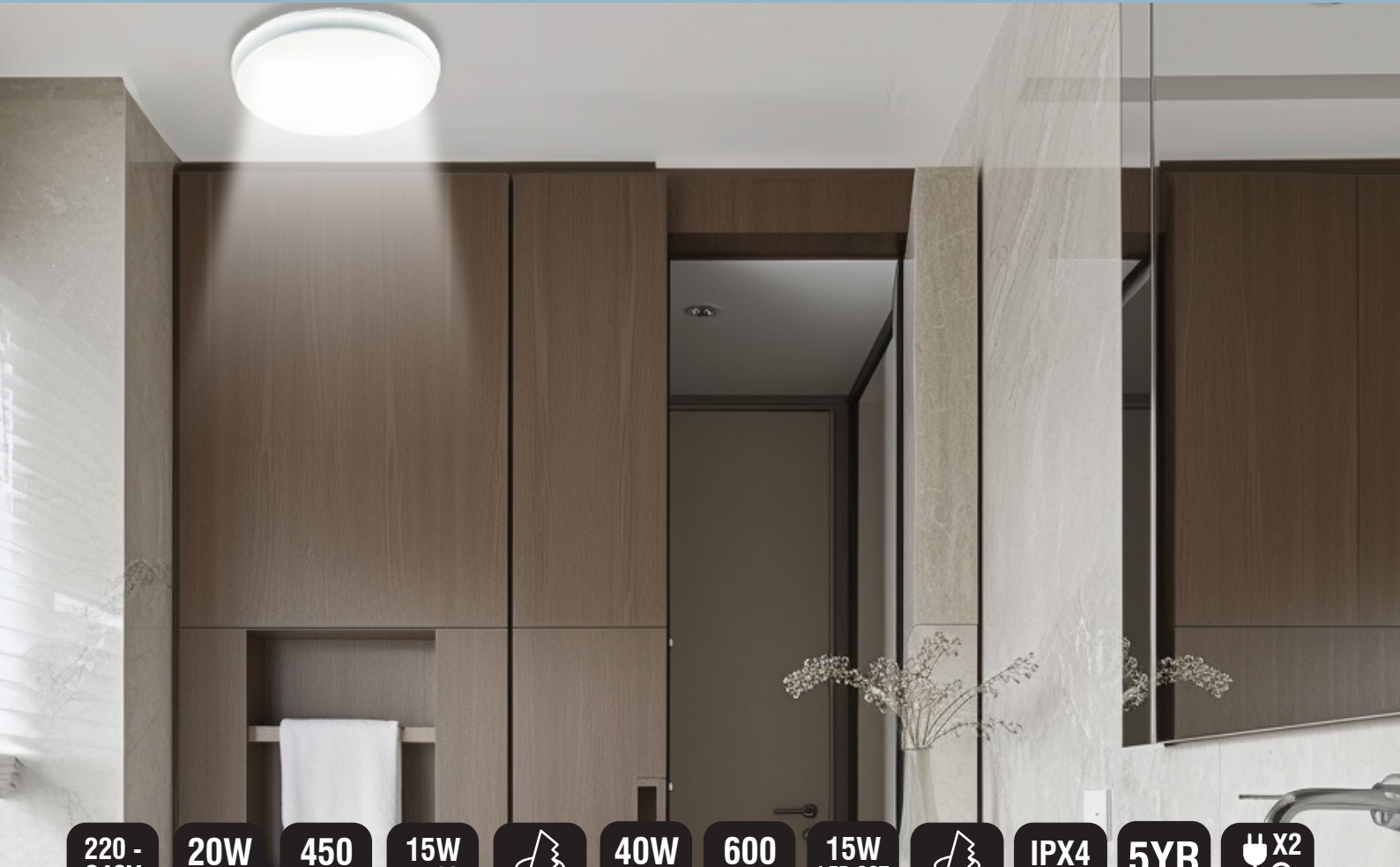




brillianttrade.com.au

BLIZZARD DC EXHAUST FAN WITH LIGHT



220 - 240V AC	20W DC MOTOR	450 m ³ /hr AIRFLOW	15W LED CCT 1100lm	ø240	40W DC MOTOR	600 m ³ /hr AIRFLOW	15W LED CCT 1100lm	ø295	IPX4 RATED	5YR WARRANTY	
22773					22774						

The Blizzard DC is a high performing side ducted exhaust fan, featuring a powerful energy efficient DC motor. It produces superior airflow that effectively removes steam, moisture or odour whilst maintaining a low noise performance. The flush integrated Tri-Color LED light boasts 1100 lumen max. output. Available in 2 different size to suit small or large rooms.

APPLICATIONS

- For bathrooms, laundry, kitchen to other spaces that require ventilation to the outside.

- Tornado impeller blades engineered for maximum airflow and low noise
- Efficient extraction to remove moisture and steam
- Modern and ergonomic fascia designed for steam and odour to easily enter and flow through with minimal resistance
- Super bright 15W LED CCT 1100lm light (selectable from LED switch on housing)
- Removable fascia for easy cleaning
- Designed to be easily installed on ceilings in any room: perfect for both single and multi-storey homes
- Optional exhaust fan delay timer available (code 22802 - sold separately)
- 100mm & 150mm duct adaptor with back draft shutter included to suit any needs



LED COLOUR TEMPERATURE CHANGING

3000K WARM WHITE	4200K COOL WHITE	6000K NATURAL WHITE
----------------------------	----------------------------	-------------------------------



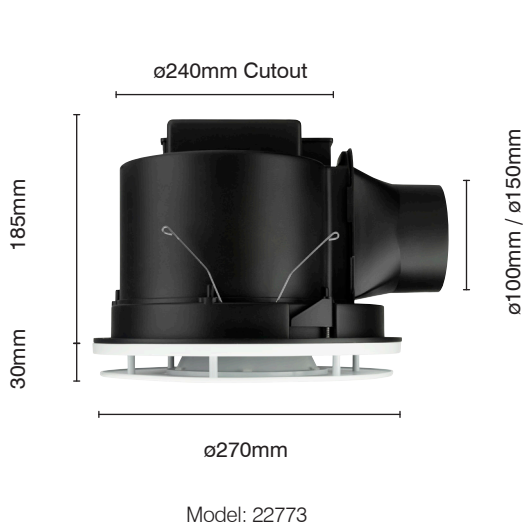
BLIZZARD DC EXHAUST FAN WITH LIGHT



TECHNICAL SPECIFICATIONS

Operating Voltage:	220 - 240V AC / 50Hz
Class:	Class I (1)
Motor Wattage:	22773: 20W 22774: 40W
Fascia:	22773: ø270mm 22774: ø330mm
Air Extraction:	22773: up to 450m ³ /hr 22774: up to 600m ³ /hr
Light Wattage:	15W
Light Lumens:	1100lm Max
Colour Temperature:	3000K/ 4200K/ 6000K (selectable from LED switch on housing)
Cutout:	22773: ø240mm 22774: ø295mm
Outlet Diameter:	100mm & 150mm (Duct not included)
Ingress Protection:	IPX4
Control:	AU plug and lead for separate fan and light
Accessories:	Exhaust fan delay timer (code 22802 - sold separately)
Warranty	5 year replacement*

INSTALLATION

Swing clips with screws



	MODEL	COLOUR	DESCRIPTION	BOX SIZE	GROSS WEIGHT	BOX QTY	BARCODE/TUN
RETAIL BOX	22773/05	White	Blizzard DC CCT Exhaust Fan with light 270mm	W330 x H238 x D280 mm	2.2 kg	1 pc	 9 312641 227731 >
RETAIL BOX	22774/05	White	Blizzard DC CCT Exhaust Fan with light 330mm	W368 x H238 x D340 mm	3.2 kg	1 pc	 9 312641 227748 >