



# AVENGER DIY 30W RGB FLOODLIGHT 21363

Before first using your new Brilliant RGB floodlight, it is most important that you read and follow these instructions, even if you feel you are quite familiar with this type of product. Retain this document for future reference.

## DIY Installation

**WARNING :** Any alteration or additions to building wiring must be done by a licenced electrician or person authorised by legislation to work on the fixed wiring of any electrical installation in accordance with the latest AS/NZS 3000 and relevant amendments.

### Locating your Floodlight:

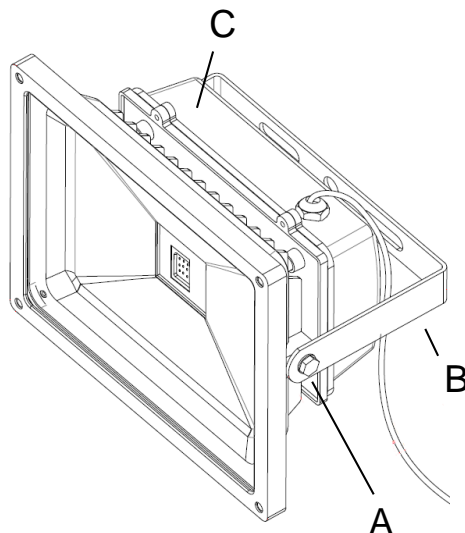
For the consideration of safety and better achieved output, the Avenger RGB floodlight must be mounted under 3.0 metres height of the required area to be lit.

### For Your Safety:

- To prevent electric shock, please ensure that power is disconnected before installing.
- Children should be supervised to ensure that they do not play with the appliance.
- Do not attempt to adjust the angle of the fixture until the unit has been switched off and had time to cool down.
- Floodlight must be mounted more than 30cm away from lighted objects.
- Installation must follow regulations and local building codes. If you are not familiar with these codes and requirements, consult a qualified electrician.

### Installation:

1. Ensure mains supply is switched off.
2. Unscrew the screws (A) on each side of mounting bracket and remove bracket (B).
3. Position the mounting bracket (B) against the wall and mark the positions for the screws.
4. Drill two holes in the wall, then insert rawl plugs (not provided) into the holes by hammer if required.
5. Secure the bracket by tightening the screws (not provided) into the rawl plugs
6. Re-fit the floodlight body (C) back onto the bracket by tightening the mounting bracket screws (A).
7. Insert the plug into the socket.
8. Turn on the power and enjoy the new product.



### WARNING:

- Failure to follow these instructions may result breakages and will invalidate warranty.
- For safety reasons it is recommended that installation, repair or inspection must be done by authorized personnel
- If product is functioning irregularly, please TURN OFF the power and contact the nearest authorized dealer.
- Do not perform modification or change parts within the light fixture.

### SPECIFICATIONS:

**Fitting:** Aluminium Body  
**LED:** 30W RGB LED  
**Protection:** Class I  
**Voltage:** 220-240V AC 50Hz  
**IP Rating:** IP 65  
**Remote Control Type:** Infra Red  
**Remote Control Range:** Up to 10 m  
**Remote Control Battery:** CR2025 3V

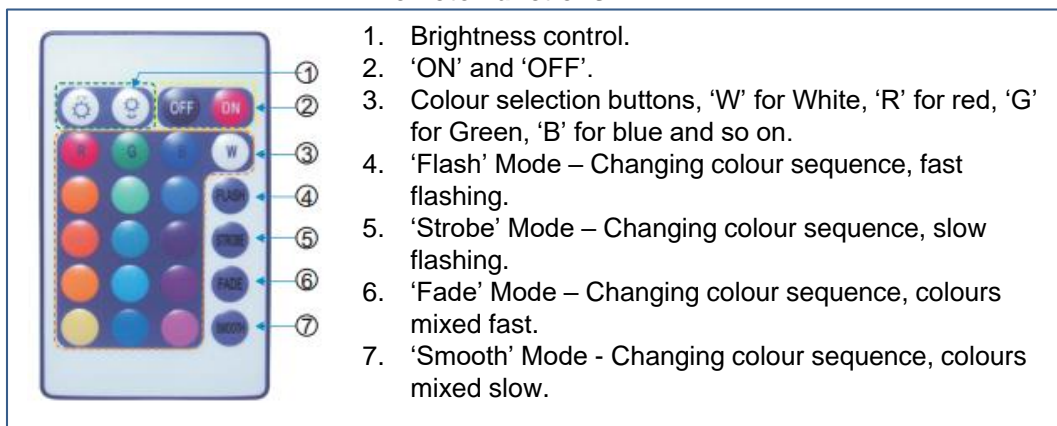


# AVENGER DIY 30W RGB FLOODLIGHT 21363

## Remote Control Operation:

The RGB Floodlight can be controlled via the IR remote control supplied. The remote control will allow you to control the brightness level of the floodlight, select desired colour and select between the following functions: Constantly on, Strobe, Flash, Fade and Smooth. To operate remote, first remove the plastic tab at the back of the remote to activate the battery.

## Remote Functions



## Warranty:

Brilliant Lighting warrants this product against defects in manufacture and workmanship for a period of 2 years from date of purchase or as specified on the packaging. For products used in non-domestic or commercial applications, Brilliant Lighting warrants this product for a period of 3 months from date of purchase. This warranty is only valid for products installed and operated within the guidelines specified by Brilliant Lighting, and within the correct operating voltage ranges as stated on the product's rating label.

Warranty does not include damage or loss arising from incorrect installation, operation or maintenance of this product, damage caused through modification, incorrect installation, service by unqualified or unauthorised personnel or lack of regular maintenance and cleaning. Proof of installation by qualified personnel may be required, e.g. Electrical Safety Certificate. Proof of purchase must be supplied with all warranty claims.

This warranty is provided in addition to any other rights and remedies of the customer under any law. In applications not intended for household, personal or domestic use, liability is limited to replacement or reimbursement of product only. Brilliant Lighting does not warranty the costs of removal or re-installation of this product or associated components.

*Our goods come with guarantees that cannot be excluded under the Australian Consumer Law. You are entitled to a replacement or refund for a major failure and compensation for any other reasonably foreseeable loss or damage. You are also entitled to have the goods repaired or replaced if goods fail to be of acceptable quality and the failure does not amount to a major failure.*

Any claim under this warranty must be made within the specified warranty period from date of purchase of this product. To make a claim under the warranty; at your own expense take the product (with proof of purchase – receipt or similar) to the store where you purchased the product or contact Brilliant Lighting at the address below.

This warranty is given by:

**Brilliant Lighting (Aust) Pty. Ltd.**

**ABN 37 006 203 694**

**956 Stud Road Rowville, VIC 3178**

**Phone: 03 9765 2555**

**Email: [warranty@brilliantlighting.com.au](mailto:warranty@brilliantlighting.com.au)**

**MADE IN CHINA**