



SMART WiFi DIMMER MECH

Make your dimmable downlights Smart



WiFi Smart push button lighting dimmer that allows remote operation from anywhere

- Make your dimmable lights smart by converting your current dimmer to our Smart dimming module
- Fits conveniently into the existing switch plate
- Perfect for new or retro-fit installations
- Trailing edge dimmer suitable for most LED lighting products
- Slots seamlessly into HPM®, Clipsal® and Vynco® branded wall plates
- Control from anywhere via app or voice control
- Build schedules and timing to automate your home
- Create virtual automation looping without the hassle of installing long cable runs*
- Programmable minimum brightness level to avoid light flickering
- Incorporates on/off switching and dimming control into one mechanism
- Soft start for improved lamp life
- Connects to other BrilliantSmart devices and other compatible products
- Overheat and over-current protection
- Manual push button is in perfect sync with app

* Virtual automation requires some automation scenes to be programmed in app

APPLICATIONS

- Connects to any dimmable downlight – indoor only
- Two-way switching for new installations using automations
- Group lights, so they can be switched on or off at the one time
- Create scenes using IFTTT, so lights come on based on certain behaviour, ie: when movement is detected via a sensor, the lights turn on automatically





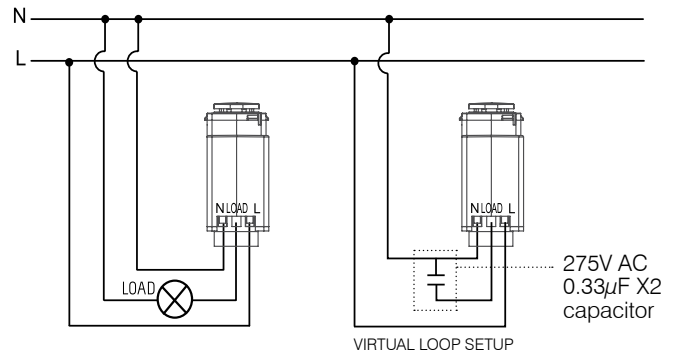
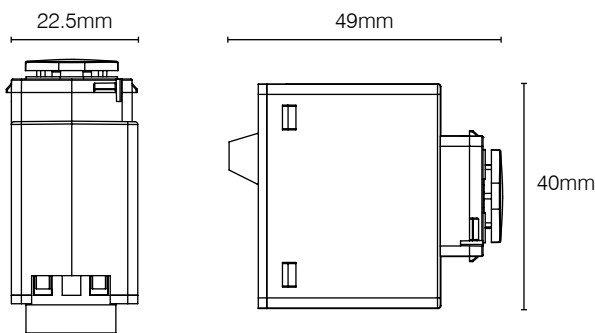
SMART WiFi DIMMER MECH

TECHNICAL SPECIFICATIONS

Dim Method:	Trailing edge
Advanced settings:	Programmable minimum dimming level Selectable load type
Operating Voltage:	240V / 50Hz
Class:	Class II (2)
Maximum Load:	200W LED / 350W incandescent
Minimum Load:	2W or 0.33 μ F X2 capacitor
Operating Temperature:	10°C - 30°C
Protection Type:	Over heat & over current
Control Type:	Push button / BrilliantSmart app Soft start for improved lamp life
Connection Terminals:	3 x 3mm diameter (7mm ²) screw
Material:	Flame retardant ABS for housing
LED Indicator:	Blue
Plate Compatibility:	Slots seamlessly into HPM [®] , Clipsal [®] and Vynco [®] branded wall plates with multiple button head shapes (series 30 type)
Warranty:	1 year replacement
WiFi Info:	IEEE802.11b/g/n, 2.4GHz Mac Encryption; WEP/WAPI/TKIP/AES
Device Requirements:	iOS 8.0 or higher, Android 4.1 or higher
Standards:	AS/NZS 60669-2-1 IEC 60669-1

INSTALLATION

Must be installed by a licensed electrician



	MODEL	COLOUR	DESCRIPTION	BOX SIZE	GROSS WEIGHT	BOX QTY	BARCODE/TUN
RETAIL BOX	20967	White	Smart WiFi Dimmer Mech	W70 x H110 x D29.5 mm	0.05 kg	1 pc	 9 312641 209676
INNER CTN	20967	White	Smart WiFi Dimmer Mech SRT	W155 x H57 x D57 mm	0.45 kg	10 pc	 19312641209673
OUTER CTN	20967	White	Smart WiFi Dimmer Mech	W320 x H185 x D180 mm	1.30 kg	20 pc	 29312641209670