

Blaze-Pro-Pecell Plug & Play Daylight Sensor



Description

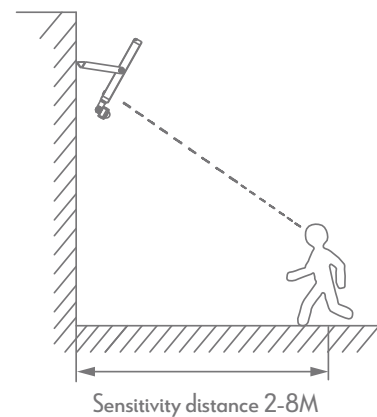
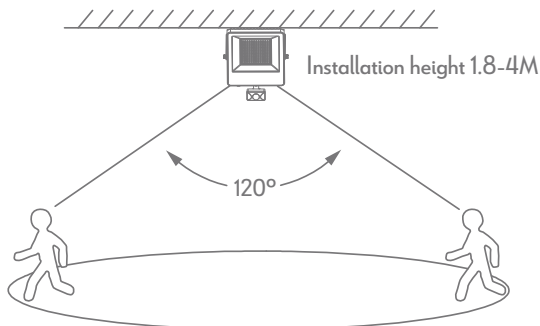
The optional BLAZE-PRO-PECELL Sensor is a Plug-N-Play accessory that instantly converts the BLAZE-PRO floodlights into LED floodlights with Photoelectric Cell Sensor models. This Sensor will automatically detect low light levels and turn on at dusk (or pre-selected setting) and turn off at dawn (or pre-selected setting) when light levels increase. The chosen Lux Level to activate can be selected via the remote. Choose from 10Lux/20Lux/50Lux/100Lux. Default Lux setting is 20Lux. All BLAZE-PRO models feature a Sensor Adaptor Interface to offer easy installation of the optional Daylight Sensor (BLAZE-PRO-PECELL), and also the PIR Sensor (BLAZE-PRO-PIR). Available in Black and White colour options.

Specification Features

Voltage and current: 5V DC, 10mA
 Lux Level: 10Lux/20Lux/50Lux/100Lux
 IP Rating: IP65
 Operating Temperature: -30°C - 40°C
 Installation height: ≤8M
 Remote Control Distance: 0-8M
 Requires: CR2025 Battery (not included)



Item No.	Variant	
	Blk	Wht
BLAZE-PRO-PECELL	19928	19929



Press to turn Off.

Press to power On the light for 15s by default, then enter the last saved parameter state to be commanded.

MODE 1, MODE 2, MODE 3 are invalid buttons

All buttons in HOLD TIME are invalid.

Sensor ON and Sensor OFF are invalid buttons.

Restore factory setting button, default illumination 20lux.

All buttons in SENSITIVITY and invalid.

Illumination valve settings, a total of four gears, 10lux, 20lux, 50lux, 100lux, press the button and the light flashes once.