

Blaze-Pro-BK/BK-50 Floodlight F&P



Description

The BLAZE-PRO Series of LED Floodlights offer a sleek and stylish design, as well as an array of specialised features such as improved condensation prevention technology along with helping to reduce stock inventory. Featuring an aluminium fascia design with frosted glass lens to soften glare, IP66 rating and a unique anti-condensation breathing valve which stops unwanted condensation build-up behind the glass lens. The Multi-wattage selector switch offers the flexibility of selecting the right light output for the application within the same fitting. The tri-colour selector switch also offers the convenience of choosing between a 3000K Warm White, 4000K Neutral White or 5500K White colour temperature options. All models feature a Sensor Adaptor Interface to install the optional PIR Sensor (BLAZE-PRO-PIR). The optional sensor is a Plug-N-Play accessory that instantly converts the BLAZE-PRO floodlights into LED floodlights with sensor models. Complete with 1.5M flex and plug, as well as all angle installation bracket for ease of installation. Ideal for BBQ areas, outdoor entertaining areas, and backyard lighting. Available in Black and White colour options. Backed by a 3 Year Replacement Warranty.

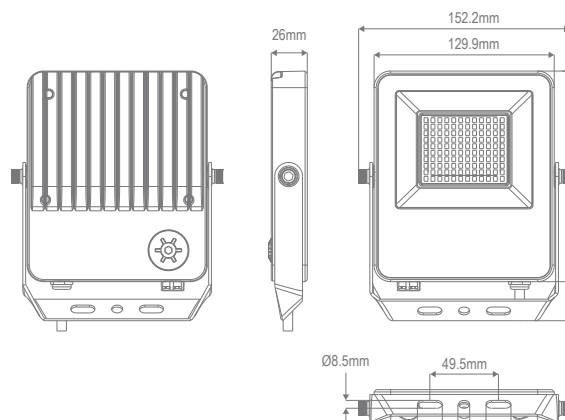
Specification Features

Input Voltage:	240V		
Power:	20W/30W/50W		
IP rating:	IP66		
Lumen Output			
Wattage:	20W	30W	50W
Warm White 3000K	1844lm	2737lm	4358lm
Neutral White 4000K	1951lm	2940lm	4783lm
White 5500K	1928lm	2862lm	4549lm
LED type:	SMD		
CCT:	3000K - 4000K - 5500K		
Luminous Efficacy:	110lm/W		
CRI:	≥70		
Beam angle:	120°		
Dimmable:	No		
Lifespan:	20,000 hrs		
Driver:	DOB (driver on board)		
Operating Temperature:	-40° C ~+ 45° C		
Surge Protection:	4.5KV		
Sensor:	Built-in Sensor Adaptor Interface		
Cable:	1.5M flex and plug Frosted Glass Anti-Condensation Breathing Valve		



PECELL Remote Control PIR Remote Control

Diagrams / Additional



Item No.	Variant	CCT
BLAZE-PRO-BK/BK-50	19160	TRIO
BLAZE-PRO-PIR	19926	N/A
BLAZE-PRO-PECELL	19928	N/A
BLAZE-PRO-BKT	19923	N/A

PECELL Sensor Features (see Sensor Data Sheet)

Voltage and current:	5V DC, 10mA
Lux Level:	10Lux/20Lux/50Lux/100Lux
IP Rating:	IP65
Operating Temperature:	-30°C - 40°C
Installation height:	≤8M
Remote Control Distance:	0-8M

PIR Sensor Features (see Sensor Data Sheet)

Left/Right Adjustment:	90°
Up/Down Adjustment:	180°
Sensor Control:	ON/OFF
Time Delay Settings:	1, 3, 6 & 12Min
Sensitivity Settings:	25%, 50%, 75% & 100%
Sensitivity Distance:	2-8M
IP Rating:	IP65

Blaze-Pro-BK/BK-100 Floodlight F&P



Description

The BLAZE-PRO Series of LED Floodlights offer a sleek and stylish design, as well as an array of specialised features such as improved condensation prevention technology along with helping to reduce stock inventory. Featuring an aluminium fascia design with frosted glass lens to soften glare, IP66 rating and a unique anti-condensation breathing valve which stops unwanted condensation build-up behind the glass lens. The Multi-wattage selector switch offers the flexibility of selecting the right light output for the application within the same fitting. The tri-colour selector switch also offers the convenience of choosing between a 3000K Warm White, 4000K Neutral White or 5500K White colour temperature options. All models feature a Sensor Adaptor Interface to install the optional PIR Sensor (BLAZE-PRO-PIR). The optional sensor is a Plug-N-Play accessory that instantly converts the BLAZE-PRO floodlights into LED floodlights with sensor models. Complete with 1.5M flex and plug, as well as all angle installation bracket for ease of installation. Ideal for BBQ areas, outdoor entertaining areas, and backyard lighting. Available in Black and White colour options. Backed by a 3 Year Replacement Warranty.

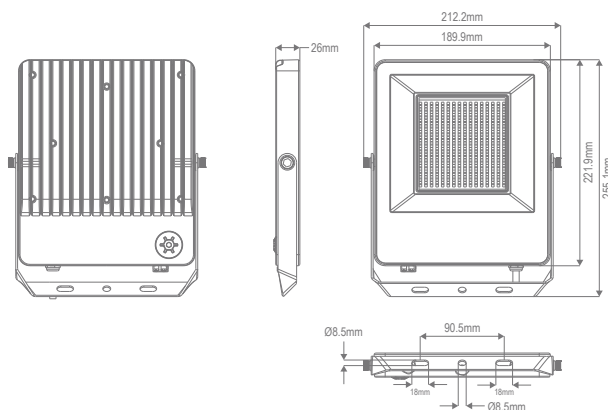
Specification Features

Input Voltage:	240V		
Power:	50W/70W/100W		
IP rating:	IP66		
Lumen Output			
Wattage:	50W	70W	100W
Warm White 3000K	4765lm	6525lm	8939lm
Neutral White 4000K	5075lm	7044lm	9800lm
White 5500K	4975lm	6832lm	9305lm
LED type:	SMD		
CCT:	3000K - 4000K - 5500K		
Luminous Efficacy:	110lm/W		
CRI:	≥70		
Beam angle:	120°		
Dimmable:	No		
Lifespan:	20,000 hrs		
Driver:	DOB (driver on board)		
Operating Temperature:	-40° C ~+ 45° C		
Surge Protection:	4.5KV		
Sensor:	Built-in Sensor Adaptor Interface		
Case:	1.5M flex and plug Frosted Glass Anti-Condensation Breathing Valve		



PECELL Remote Control PIR Remote Control

Diagrams / Additional



Item No.	Variant	CCT
BLAZE-PRO-BK/BK-100	19161	TRIO
BLAZE-PRO-PIR	19926	N/A
BLAZE-PRO-PECELL	19928	N/A
BLAZE-PRO-BKT	19923	N/A

PECELL Sensor Features (see Sensor Data Sheet)

Voltage and current:	5V DC, 10mA
Lux Level:	10Lux/20Lux/50Lux/100Lux
IP Rating:	IP65
Operating Temperature:	-30°C - 40°C
Installation height:	≤8M
Remote Control Distance:	0-8M

PIR Sensor Features (see Sensor Data Sheet)

Left/Right Adjustment:	90°
Up/Down Adjustment:	180°
Sensor Control:	ON/OFF
Time Delay Settings:	1, 3, 6 & 12Min
Sensitivity Settings:	25%, 50%, 75% & 100%
Sensitivity Distance:	2-8M
IP Rating:	IP65

Blaze-Pro-BK/BK-200 Floodlight F&P

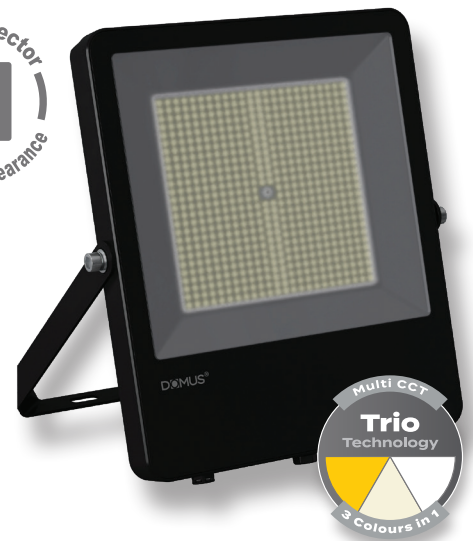


Description

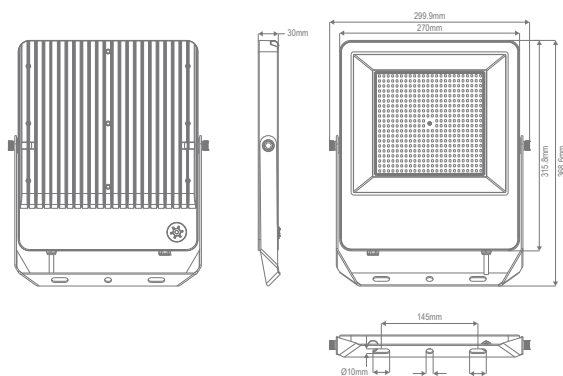
The BLAZE-PRO Series of LED Floodlights offer a sleek and stylish design, as well as an array of specialised features such as improved condensation prevention technology along with helping to reduce stock inventory. Featuring an aluminium fascia design with frosted glass lens to soften glare, IP66 rating and a unique anti-condensation breathing valve which stops unwanted condensation build-up behind the glass lens. The Multi-wattage selector switch offers the flexibility of selecting the right light output for the application within the same fitting. The tri-colour selector switch also offers the convenience of choosing between a 3000K Warm White, 4000K Neutral White or 5500K White colour temperature options. All models feature a Sensor Adaptor Interface to install the optional PIR Sensor (BLAZE-PRO-PIR). The optional sensor is a Plug-N-Play accessory that instantly converts the BLAZE-PRO floodlights into LED floodlights with sensor models. Complete with 1.5M flex and plug, as well as all angle installation bracket for ease of installation. Ideal for BBQ areas, outdoor entertaining areas, and backyard lighting. Available in Black and White colour options. Backed by a 3 Year Replacement Warranty.

Specification Features

Input Voltage:	240V		
Power:	100W/150W/200W		
IP rating:	IP66		
Lumen Output			
Wattage:	100W	150W	200W
Warm White 3000K	9905lm	14290lm	18372lm
Neutral White 4000K	10528lm	15523lm	20126lm
White 5500K	10338lm	14961lm	19152lm
LED type:	SMD		
CCT:	3000K - 4000K - 5500K		
Luminous Efficacy:	110lm/W		
CRI:	≥70		
Beam angle:	120°		
Dimmable:	No		
Lifespan:	20,000 hrs		
Driver:	DOB (driver on board)		
Operating Temperature:	-40° C ~+ 45° C		
Surge Protection:	4.5KV		
Sensor:	Built-in Sensor Adaptor Interface		
Cable:	1.5M flex and plug Frosted Glass Anti-Condensation Breathing Valve		



Diagrams / Additional



PECELL Remote Control PIR Remote Control

Item No.	Variant	CCT
BLAZE-PRO-BK/BK-200	19162	TRIO
BLAZE-PRO-PIR	19926	N/A
BLAZE-PRO-PECELL	19928	N/A
BLAZE-PRO-BKT	19923	N/A

PECELL Sensor Features (see Sensor Data Sheet)

Voltage and current:	5V DC, 10mA
Lux Level:	10Lux/20Lux/50Lux/100Lux
IP Rating:	IP65
Operating Temperature:	-30°C - 40°C
Installation height:	≤8M
Remote Control Distance:	0-8M

PIR Sensor Features (see Sensor Data Sheet)

Left/Right Adjustment:	90°
Up/Down Adjustment:	180°
Sensor Control:	ON/OFF
Time Delay Settings:	1, 3, 6 & 12Min
Sensitivity Settings:	25%, 50%, 75% & 100%
Sensitivity Distance:	2-8M
IP Rating:	IP65