

Tropix-II

4 in 1 Standard Bathroom Heater



Description

The TROPIX-II 4-In-1 Standard Line Bathroom Heater offers a modern slimline design to suit most contemporary bathroom designs, combined with the latest technology in PTC bathroom heater models. Standard Line range offers 4-In-1 Functions – Heater, Exhaust Fan, Circulating Fan, and Light Unit. Patented Heat Breeze Technology heats the room while offering low level extraction to help reduce condensation build up in the bathroom. This Standard Line model features twin AC Motors, producing a 2150W output of powerful heat breeze, high volume extraction at 500m³/h, circulating fan to reduce warm temperature build up, and a 25W LED Tri-Colour switchable light.

Complete with V1.5 6 Switch Digital Wall Controller, allowing easy switching from all modes, and an ALL-OFF button for exiting. AUX Button on Controller allows for auxiliary light/s or exhaust fan to be switched on the controller. Featuring two PTC Heat Settings on the same button switch (Press once for HIGH Heat, Press twice for LOW heat).

Domus PTC Bathroom Heaters feature an advanced safety feature where the unit will automatically shut off after two hours in case it is left on accidentally. If the unit runs for two hours continuously, a safety function will automatically turn it off. This setting can be overridden and reset by pressing any switch on the controller within this two-hour period.

Ideal for new and existing installations with a slimline 615x315mm fascia frame, and a 595x280mm cutout. Accessories include V1.5 6 Switch Digital Controller Wall Control, 3M Flexible Duct, and Exterior Grille.

All Domus PTC Bathroom Heaters are backed by our 5 Year In-Home Warranty.

Specification Features

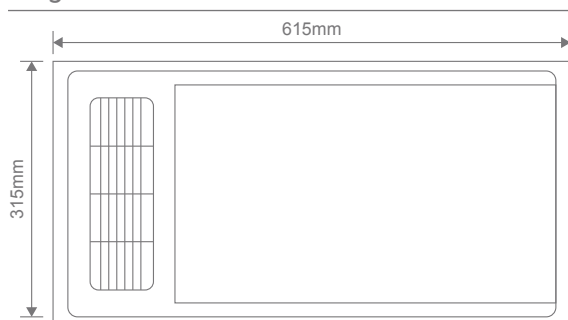
Input Voltage:	240V AC		
Power (W):	2250W		
Motor Wattage (W):	60W AC		
Fan Size:	60W		
Air Extraction:	500m ³ /h		
Heat Wattage:	2150W		
Heat Type:	PTC Heating Element		
Light Wattage:	25W LED		
IP Rating (IP):	IPX2		
Decibel Rating (dB):	≤48dB		
CCT:	3000K - 4000K - 5000K (Changeable)		
Lumen Output	3000K	4000K	5000K
	1800lm	2100lm	1900lm

CRI:	≥80		
Cutout:	595x280mm		
Fascia Size:	615x315mm		
Duct Size:	150mm		
Product Weight:	7.6Kg		

Accessories: 6-Switch V1.5 Digital Wall Controller, 3M Flexible 150mm Duct, Exterior Grille



Diagrams / Additional



Item No.	Variant		CCT
	Wht	Blk	
TROPIX-II	56027	56028	TRIO



White Wall Controller (Included)



Horizontal Switchplate Film Cover (Included)