

# Installation and User Manual

# AZURE™

By HPI



**The fan should only be installed and used indoors. Not suitable for outdoor use and not recommended for coastal locations.**

Isolation switch and wall plate required. To suit the location and décor these parts must be supplied by the installing electrician.



## **CEILING FAN MUST BE INSTALLED BY A LICENSED ELECTRICIAN**

(NO OTHER PERSONS SHOULD ATTEMPT TO INSTALL THIS FAN)

\*After installation, electricians must tick off all items on the quick checklist and fill out their details towards the back of this Installation Manual

**ELECTRICIANS - TO PROTECT YOUR CUSTOMER'S WARRANTY, PLEASE READ PAGE 2 OF THIS BOOKLET PRIOR TO THE INSTALLATION OF THIS PRODUCT.**

## **Warranty Procedure\***

For online warranty bookings visit: [www.hunterpacific.com.au](http://www.hunterpacific.com.au) (24hours, 7 days)  
For technical advice call: 1300 360 280 (Monday to Friday from 9am to 5pm EST)

\* Warranty only available within Australia

## **IMPORTANT INFORMATION** **ELECTRICIANS MUST READ PRIOR TO INSTALLATION**

1. Distributor and installer details and purchase receipts are essential for on-site warranty claims and must be presented to repair personnel. A page towards the back of this manual has been allocated to allow you to record these details.
2. Fans and fixed wiring products must only be installed by persons who are appropriately licensed by the applicable State regulatory body. Therefore, to protect our repair personnel, on-site warranty claims will not be accepted if products have been installed by unlicensed persons.
3. Damage caused by incorrect installation, force-majeure, electrical surges, lightning, power grid fluctuations, water or by connection to alternative power supply sources (such as solar inverters, etc.) is not eligible for warranty repair.
4. Blades must be replaced only as a complete set. Blades are supplied only as a pre-balanced set and the replacement of individual blades may void the warranty by causing mechanical damage to the motor, excessive noise or premature wear.
5. When products are installed in a location requiring special access equipment (such as scaffolding or scissor lifts, etc) the cost of providing, installing and operating special access equipment must be borne by the site owner.
6. "This appliance is not intended for use by persons (including children) with reduced physical, sensory or mental capabilities, or lack of experience and knowledge, unless they have been given supervision or instruction concerning use of the appliance by a person responsible for their safety. Children should be supervised to ensure that they do not play with the appliance." (AS/NZS 60335.1 C1.7.12)

**DANGER: Contact with ceiling fan blades can cause serious injury or death.**

To electricians and installers. The Australian Competition and Consumer Law 2010 mandates consumer protection against defects or poor workmanship in provision of services (such as installing a ceiling fan). To protect yourself and the consumer these instructions must be followed. Failure to do so may result in the consumer making a claim against you for consequential loss or damage.

7. A double pole isolation switch providing full disconnection of both fan and light must be fitted in accordance with the wiring rules (AS/NZS 60335.1 C1.7.12.2).

**For safety, and to protect your customers warranty, the following must be taken into account when installing and operating the product(s):**

- (a) DO NOT USE SOLID-STATE WALL CONTROLLERS. Neither leading nor lagging edge controllers will give satisfactory performance. Wall controls must only be types approved for use by HPI.
- (b) The fan, light and bracket must be earthed.
- (c) Fan and light must be run from the same final circuit.
- (d) Mounting bracket must be firmly screwed to a solid structure such as a concrete ceiling, steel structure or timber framing. If additional bracing is added it must be firmly secured to the rafters and not left floating on the ceiling. Special mounts, such as T-hooks, are available for certain types of installation. DO NOT USE COUNTERSUNK SCREWS.
- (e) After installation, fan blades must be at least 2.1 m (7 feet) above floor level.
- (f) The use of these products by children and the infirm must be under supervision.

**IF THERE ARE ANY PROBLEMS WITH THE PRODUCT AT TIME OF INSTALLATION THE INSTALLER MUST CONTACT THE WARRANTY HOT LINE NUMBER 1300 360 280 BEFORE LEAVING THE JOB SITE. PLEASE DO NOT REMOVE THE FAN FROM THE CEILING ONCE INSTALLED UNLESS INSTRUCTED TO DO SO.**

## IMPORTANT INFORMATION

The table below contains information that can help you quickly identify the product you are installing. If you have any difficulties installing our product we recommend you to call our technical advice line on 1300 360 280.

<u>CODE</u>	<u>SIZE</u>	<u>FAN MODEL NAME</u>	<u>COLOUR</u>
A2322	122cm (48")	Azure without light	Matt Black motor & Matt Black Blades
A2323	122cm (48")	Azure without light	White Motor & White Blades
A2324	122cm (48")	Azure without light	Brushed Nickel Motor & Brushed Silver Blades
A2325	122cm (48")	Azure with light (E27 Lamp Holders)*	White Motor & White Blades
A2326	122cm (48")	Azure with light (E27 Lamp Holders)*	Brushed Nickel Motor & Brushed Silver Blades
A2327	122cm (48")	Azure with light (18W CCT LED Light)	White Motor & White Blades
A2328	122cm (48")	Azure with light (18W CCT LED Light)	Brushed Nickel Motor & Brushed Silver Blades
A2329	122cm (48")	Azure with light (18W CCT LED Light)	Matt Black Motor & Matt Black Blades

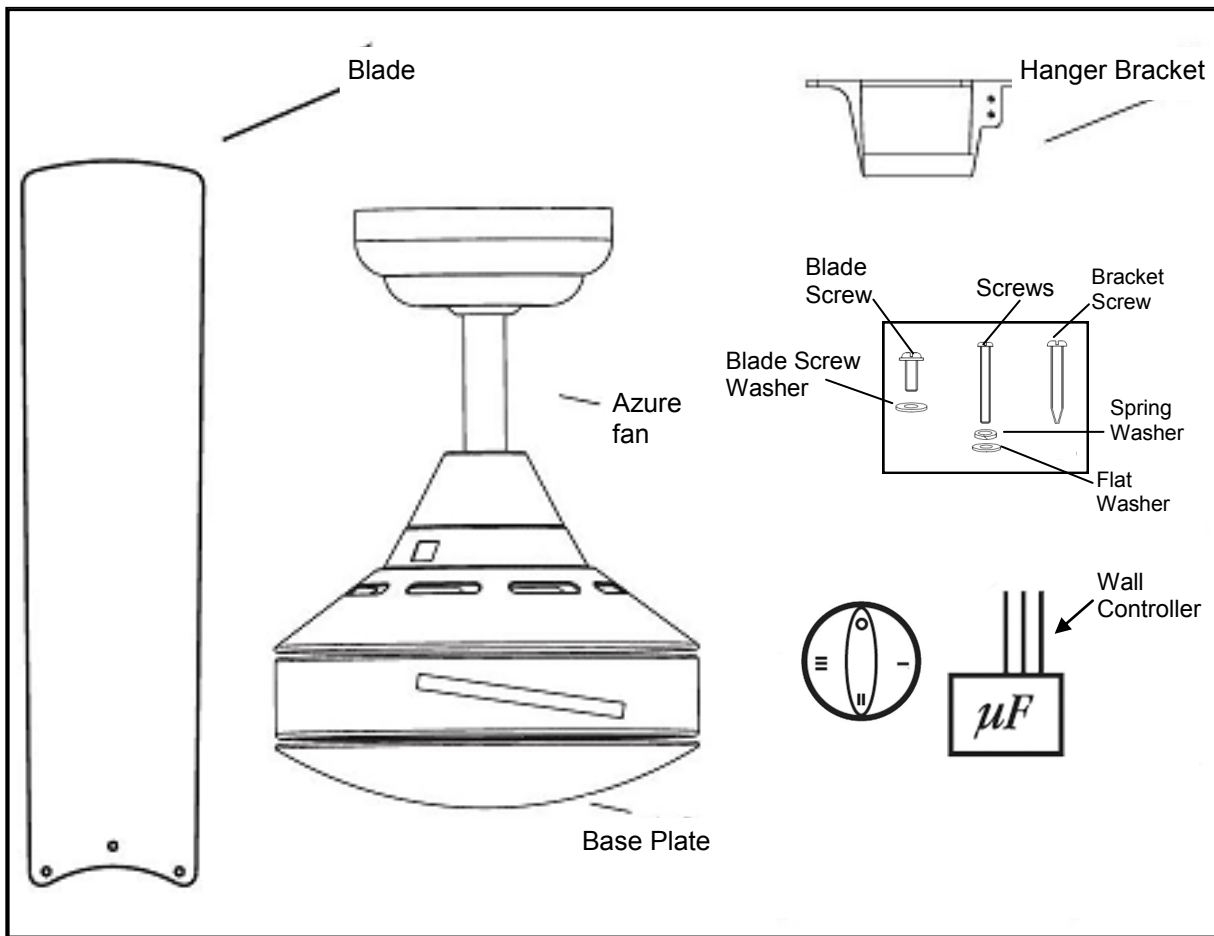
\* Lamps for E27 Lamp Holders not supplied.



\* Do not exceed maximum rated lamp capacities:

E27: 40W incandescent or 20W CFL/or LED (each lamp holder)

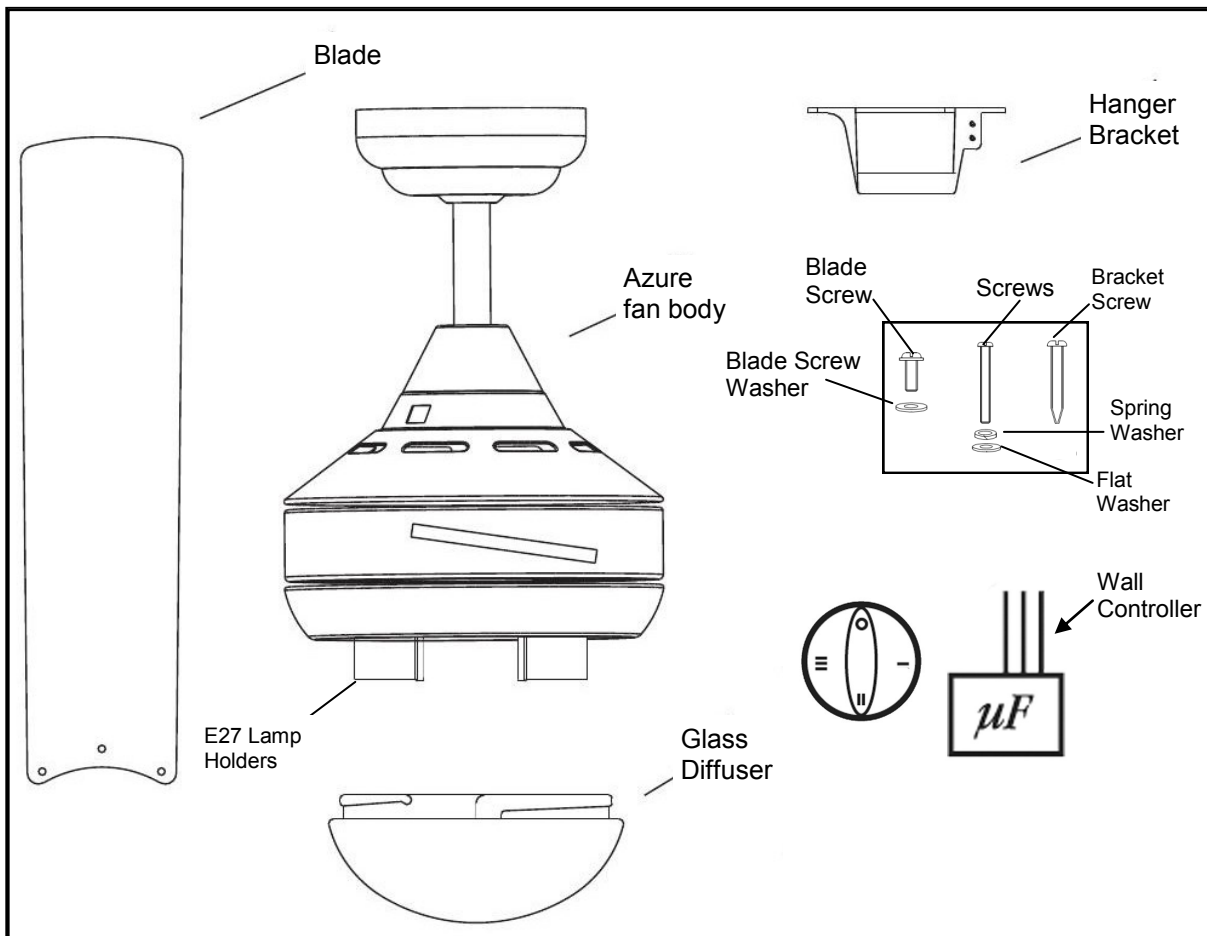
## Parts List - Azure no light



Part	Qty	Part	Qty
Hanger Bracket	1	Spring washer	2
Bracket Mounting Screw	2	Flat washer	2
Azure fan body (Pre-assembled Fan motor, down rod, and canopy )	1	3 speed Wall Control kit (includes wall mech & capacitor)	1
Blades	4	Base Plate	1
Blade screw washer	12		
Blade screws	12		
Screws	2		

Unpack ceiling fan carefully. Place fan motor on a cloth or soft surface to avoid damaging the finish. Do not lay motor housing on its side as the decorative housing may become bent or damaged.

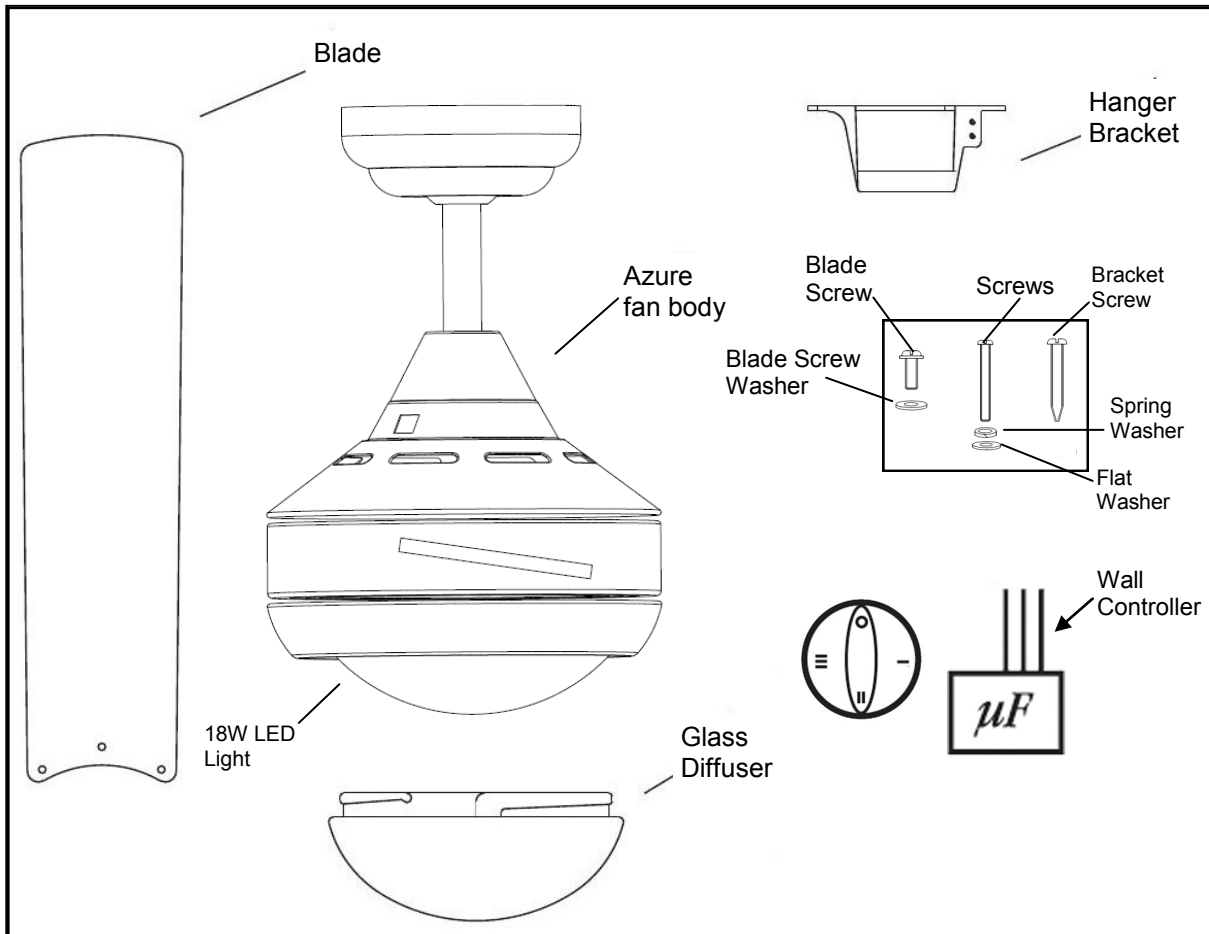
## Parts List - Azure with E27 Lamp Holders



Part	Qty	Part	Qty
Hanger Bracket	1	Spring washer	2
Bracket Mounting Screw	2	Flat washer	2
Azure fan body (Pre-assembled Fan motor, down rod, and canopy )	1	3 speed Wall Control kit (includes wall mech & capacitor)	1
Blades	4	Glass Diffuser	1
Blade screw washer	12	Twin E27 Lamp Holders (Bulbs not supplied)	1
Blade screws	12		
Screws	2		

Unpack ceiling fan carefully. Place fan motor on a cloth or soft surface to avoid damaging the finish. Do not lay motor housing on its side as the decorative housing may become bent or damaged.

## Parts List - Azure with 18W CCT LED Light

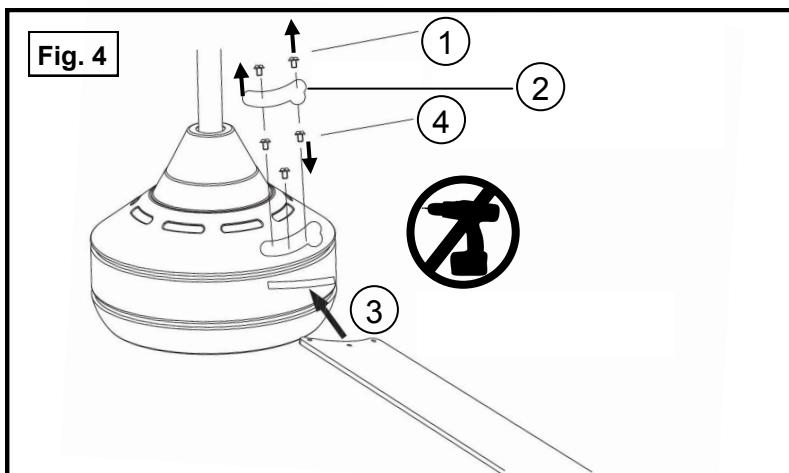
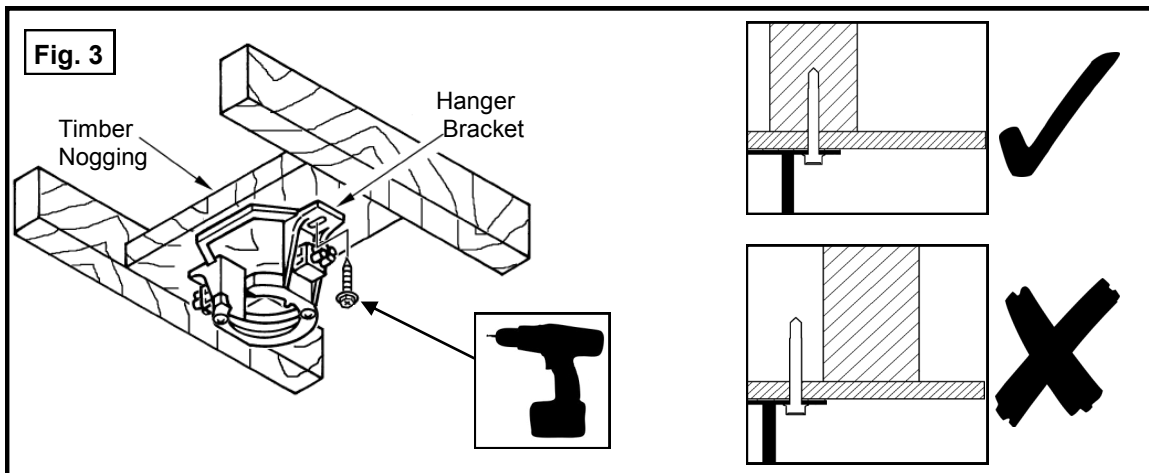
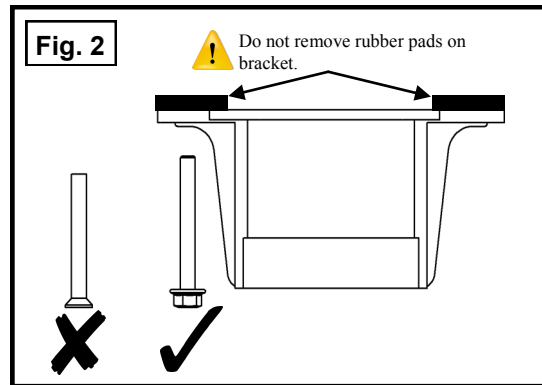
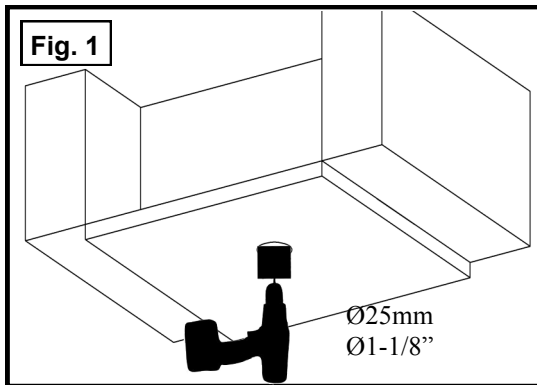


Part	Qty	Part	Qty
Hanger Bracket	1	Spring washer	2
Bracket Mounting Screw	2	Flat washer	2
Azure fan body (Pre-assembled Fan motor, down rod, and canopy )	1	3 speed Wall Control kit (includes wall mech & capacitor)	1
Blades	4	Glass Diffuser	1
Blade screw washer	12	18W CCT LED Light	1
Blade screws	12		
Screws	2		

Unpack ceiling fan carefully. Place fan motor on a cloth or soft surface to avoid damaging the finish. Do not lay motor housing on its side as the decorative housing may become bent or damaged.

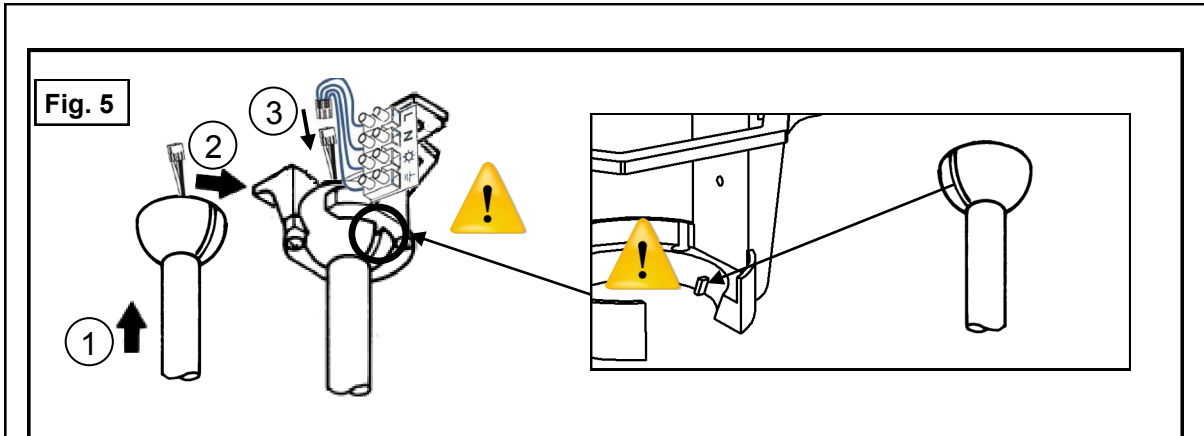
## Installation Instructions

(Assembling the fan)



## Installation Instructions

(Assembling the fan)

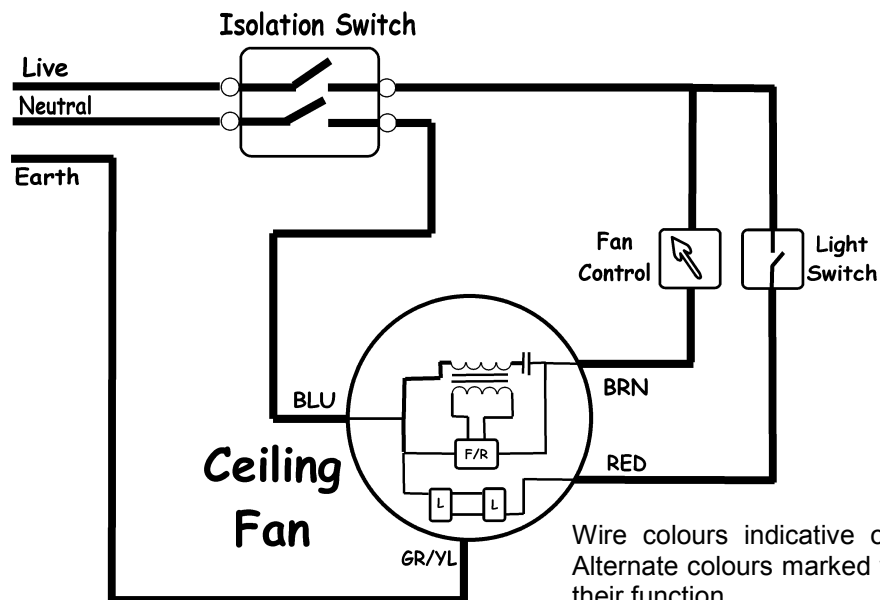


### Wiring Instructions (with and without light)



**WARNING: To comply with AS/NZS 60335.1 an Isolation switch must be fitted in series with the supply of this product.**

Fig. 6



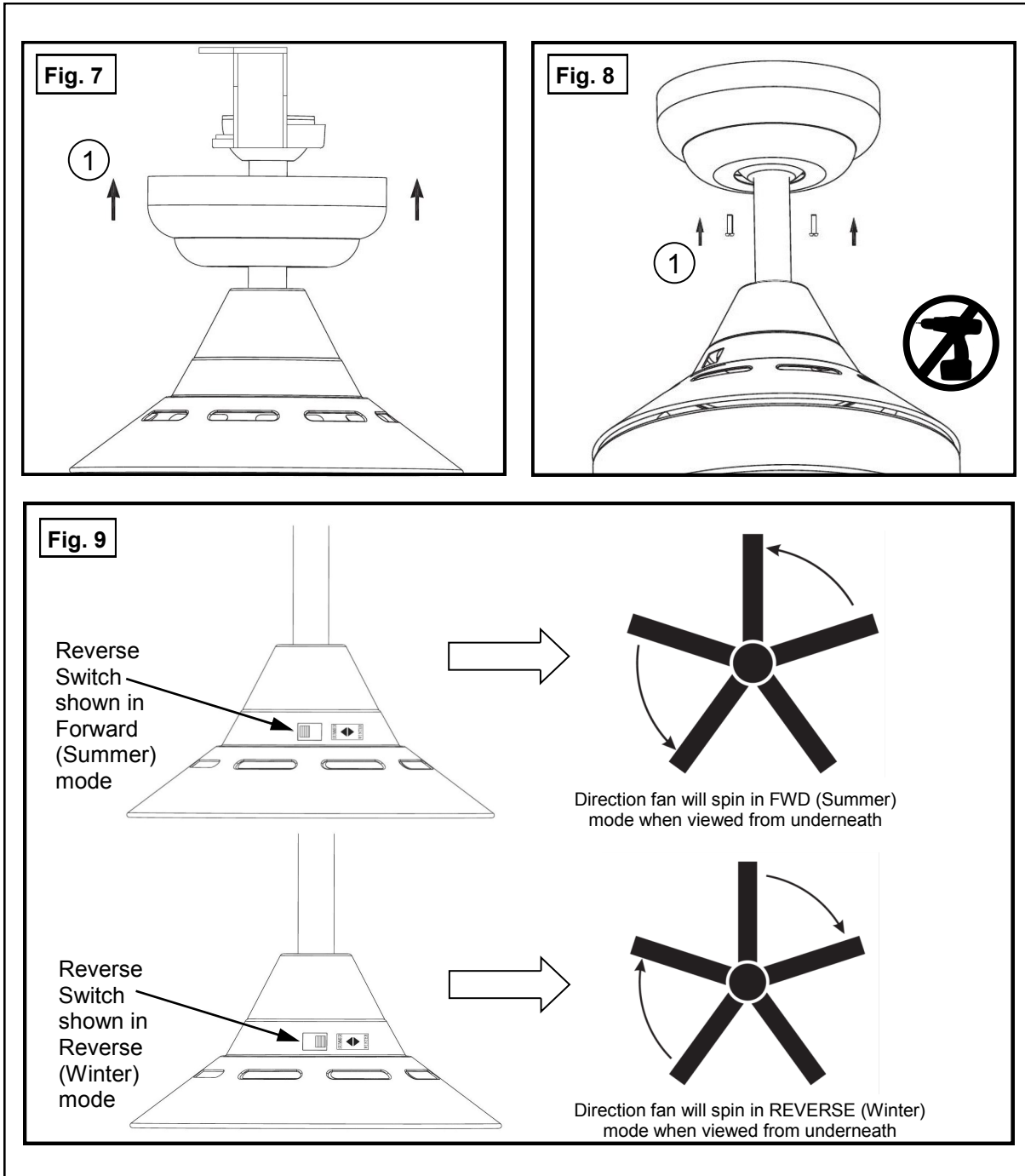
1. **Do not** attempt to operate the fan (or light kit) with any wall control that is not approved by HPI for use with its fans. DO NOT use solid state controllers. The use of unapproved controllers may void your warranty.

2. **Do not** mix blade sets from one fan to another as this may upset the balance of the fan. If only one blade is damaged you are still required to replace with a new set.



## Installation Instructions

(Assembling the fan)



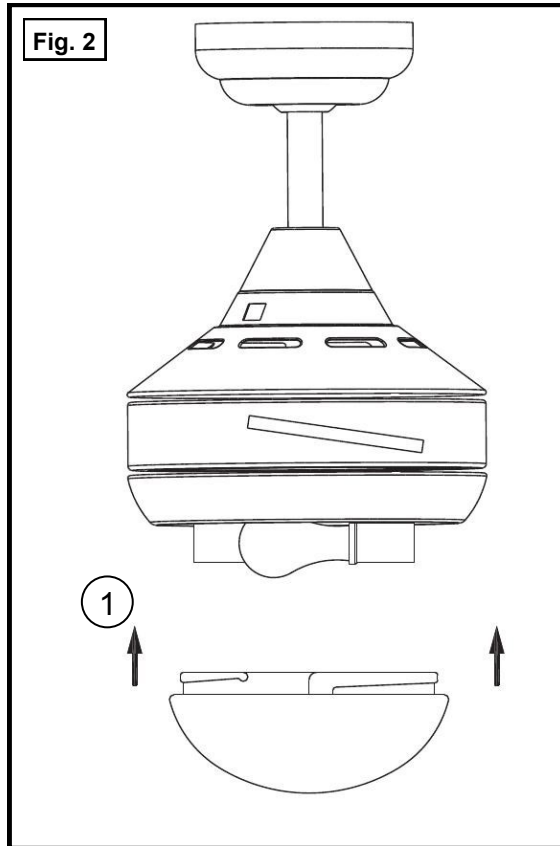
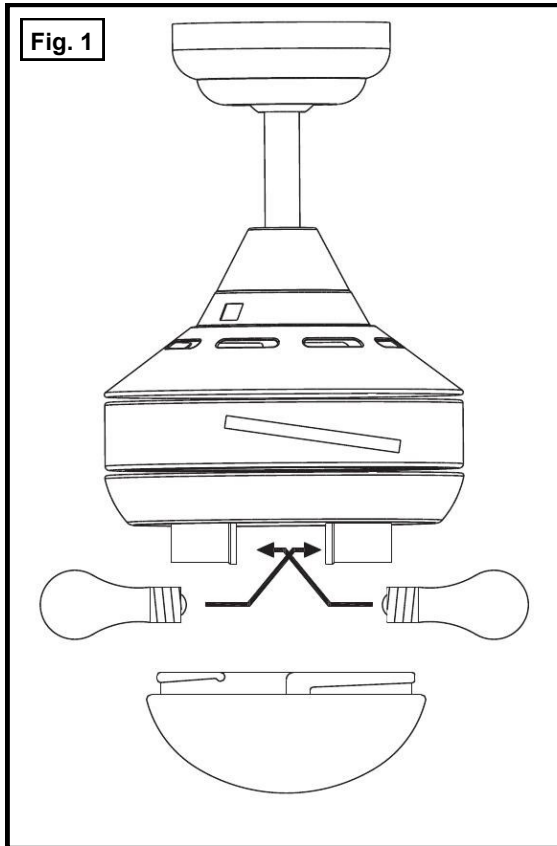
1. **Do not** attempt to operate the fan (or light kit) with any wall control that is not approved by HPI for use with its fans. DO NOT use solid state controllers. The use of unapproved controllers may void your warranty.

2. **Do not** mix blade sets from one fan to another as this may upset the balance of the fan. If only one blade is damaged you are still required to replace with a new set.

## Azure — E27 light kit



This product uses real glass which can have sharp edges. Wear gloves and eye protection when replacing lamps or glass.



Lamps for E27 Lamp Holders not supplied.



Do not exceed maximum rated lamp capacities:

E27: 40W incandescent or 20W CFL/or LED (each lamp holder)



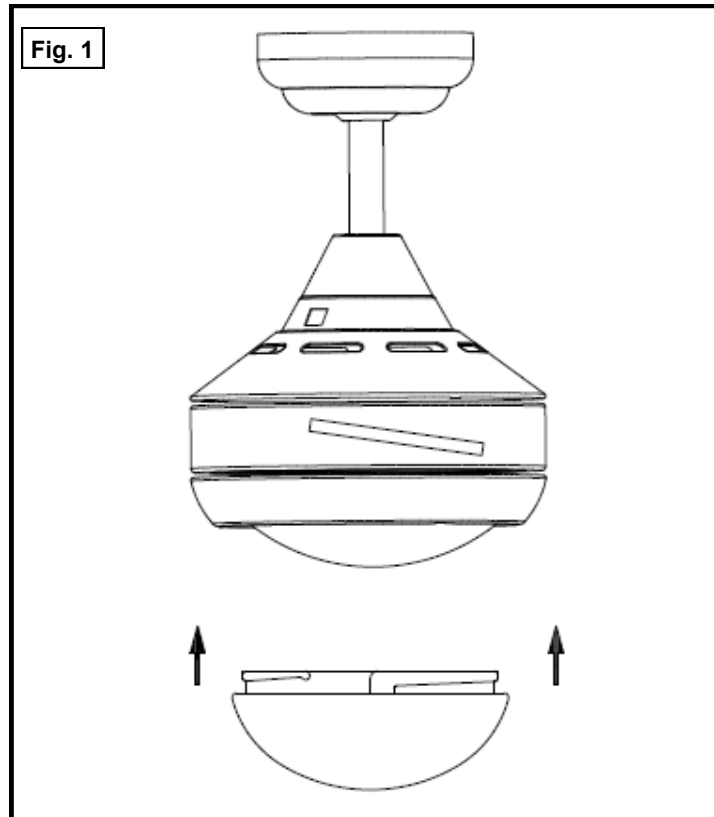
1. **Do not** attempt to operate the fan (or light kit) with any wall control that is not approved by HPI for use with its fans. DO NOT use solid state controllers. The use of unapproved controllers may void your warranty.

2. **Do not** mix blade sets from one fan to another as this may upset the balance of the fan. If only one blade is damaged you are still required to replace with a new set.

## Azure — 18W CCT LED light



This product uses real glass which can have sharp edges. Wear gloves and eye protection when replacing lamps or glass.



### Colour Changing Technology (CCT) Operation Instructions Without Using Remote Control

- Switch off the power to light
- Toggle the light switch on the wall to change the colour temperature between Warm White (3000K), Cool White (4000K) or Daylight (6000K)
- Once desired colour temperature is selected operate light as per usual

\* See separate remote control instruction manual for using Colour Changing Technology (CCT) with Hunter Pacific remote control.



**If a replacement LED light is required, it must be installed by a licensed electrician.**

(No other persons should attempt to install the replacement light)



1. **Do not** attempt to operate the fan (or light kit) with any wall control that is not approved by HPI for use with its fans. DO NOT use solid state controllers. The use of unapproved controllers may void your warranty.

2. **Do not** mix blade sets from one fan to another as this may upset the balance of the fan. If only one blade is damaged you are still required to replace with a new set.

## Troubleshooting Tips for Installers - Fan

### Fan will not start

- Check that the reversing switch is fully pushed into its Summer or Winter position.
- Check wire connections in the wall switch and terminal blocks, ensure all wires are making proper contact.
- Check isolation switch is 'on'.

### Fan speed does not correspond to the wall controller

- Check the speeds on the wall controller have been wired correctly and are making proper contact. Grey = speed 1, Blue = speed 2, Yellow = speed 3.
- Check wires in the terminal block are connected properly, connection wires should be stripped back at the connection point and unused wires should be sealed and capped off.
- Check that the reversing switch is fully pushed into its Summer or Winter position.

### Fan is not responding to the remote control (if fitted)

- Check for flat battery.
- Check handset programmed to receiver (refer remote control manual).

### Fan is wobbling

- Check the ball joint slot is locked into the hanger bracket groove.
- Make sure blades are a matched set; the figures on matching sets of blades should be identical with the numbers varying within 3 grams of each other.
- Check blade screws are tightened firmly.
- **DO NOT** use a power tool to tighten blade screws.
- Make sure bracket is tight against ceiling and the ceiling and the ceiling structure are not moving.
- **DO NOT** use countersunk screws to hold bracket against ceiling. Countersunk screws will make fan wobble (now or later) and allow the bracket to move.

### Fan is noisy

- Check all screws and parts are secured firmly. Ensure there are no loose parts moving inside the motor housing.
- Make sure the fan is installed with the supplied wall controller only, do not use solid state controllers as they will cause unpleasant motor noises.
- Check ceiling bracket is secure. If ceiling canopy moves then the bracket or ceiling is moving and screws loose, not into structure or of counter sunk type.

---

## Troubleshooting Tips for Installers - Light

- **Light will not turn on** - Make sure lamp has not blown and is properly fitted. Check all light wires in the light kit, the terminal block in the canopy cover and the wall switch have been connected correctly.
- **Light flickers or flashes** - Check globe is secured properly. Check if LED globe is not defective, then re-check wiring. Flickering may be caused by ripple control signals from the power grid.
- **NOTE: DO NOT USE CFL OR LED GLOBES WITH LIGHT DIMMERS OR DIMMING REMOTE CONTROLS**

## Troubleshooting Tips for Owners - Light



**Warning:** Danger of electric shock. Do not remove any covers or parts except for diffuser and light rim (to attach/remove blades or replace lamps).  
If light not working check isolation switch is on and that the lamps not blown.



**Warning:** Switch off isolation switch before replacing lamps.

## General Maintenance

Changing Remote Batteries: - Batteries used in Handsets will weaken over time and should be replaced every 6 months. Batteries removed from the handset should be disposed of properly and kept out of reach of children.

**\* Always ensure fan is completely switched off at the isolation switch or circuit breaker \***

Cleaning the Motor Housings: - Motor housings should be regularly cleaned to avoid build up of dust. Dust will attract moisture and condensation leading to corrosion. Use a soft, damp (not wet) cloth to remove dust. Use only water and mild detergent. Spray cleaners may damage coatings.

Cleaning the Blades: - Use a soft damp cloth to remove dirt from blades. Always dry blades after cleaning. Blades should not be left damp or wet as this will damage blade finish or cause corrosion. Use only water and mild detergent. Spray cleaners may damage coatings.

Always use soft cloths to clean blades and motor housings to avoid scratching painted and plated finishes. Ideally your fan should be cleaned every 3 to 4 months.

If removing blades for cleaning then do so for each fan separately, do not mix blades from different fans as this can upset the balance of the fan. Put blades back in the position they came from.

Normal Wear and Tear: - Please note that a ceiling fan travels an enormous distance in the course of its normal operation. Air is abrasive and suspended dust, high humidity and other contamination will cause wear and tear of surfaces.

The use of fans under roofed decks and pergolas next to swimming pools and in coastal areas will require increased maintenance due to the presence of chlorides (either as common air borne salt spray or from compounds in pool chemicals)

The temperatures attained in the peak of a pitched deck or veranda roof can easily exceed 60-70°C and especially when coupled with chlorides this will increase maintenance requirements. Even indoors in coastal areas the influx of warm, sea air can accelerate the surface corrosion of metal parts. This can still happen a great many kilometres from the sea.

When humidity is high and temperature drops moisture condenses on metal surfaces including ceiling fans. The layer of moisture can be almost microscopic but it will affect the surface by depositing a tiny layer of dissolved salts or airborne acidic compounds and thus eventually lead to corrosion if the product is not properly and regularly cleaned. This applies equally to indoor and outdoor fans.

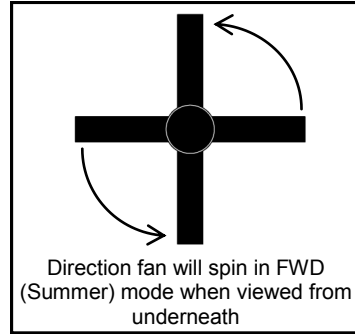
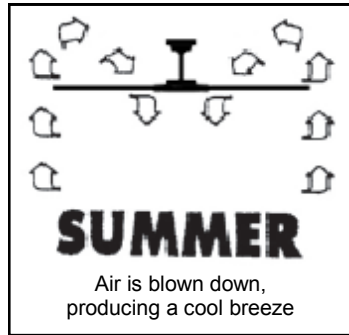
**LACK OF MAINTENANCE LEADING TO SURFACE CORROSION OR SIMILAR  
DAMAGE IS NOT COVERED BY WARRANTY.**



1. **Do not** attempt to operate the fan (or light kit) with any wall control that is not approved by HPI for use with its fans. DO NOT use solid state controllers. The use of unapproved controllers may void your warranty.

2. **Do not** mix blade sets from one fan to another as this may upset the balance of the fan. If only one blade is damaged you are still required to replace with a new set.

## FORWARD (Summer) and REVERSE (Winter) Modes Explained

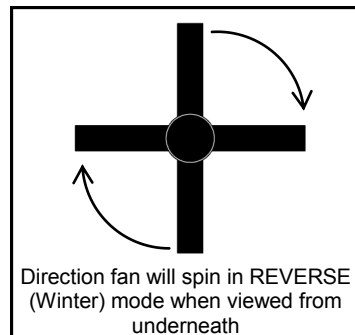
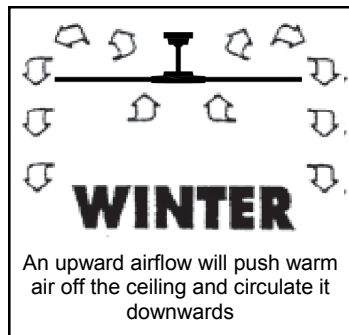


### FORWARD (Summer) Mode

Ceiling fans are an environmentally smart choice to assist with cooling and warming your home.

In FORWARD (Summer) mode your ceiling fan will spin to push air down the centre of the fan producing a cooling breeze.

The direction the fan will spin in FORWARD (Summer) when viewed from underneath will be anti-clockwise.



### REVERSE (Winter) Mode

In REVERSE (Winter) mode your ceiling fan will spin the opposite direction. Air is drawn up the centre of the fan, and pushed along the ceiling to circulate down to the living areas.

The REVERSE (Winter) mode can also be for air circulation in a poorly ventilated rooms.

The direction the fan will spin in REVERSE (Winter) when viewed from underneath will be clockwise.



1. **Do not** attempt to operate the fan (or light kit) with any wall control that is not approved by HPI for use with its fans. DO NOT use solid state controllers. The use of unapproved controllers may void your warranty.
2. **Do not** mix blade sets from one fan to another as this may upset the balance of the fan. If only one blade is damaged you are still required to replace with a new set.

## Quick Checklist

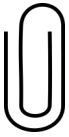
Electricians make sure everything on this checklist is ticked off before you leave the installation site. If you have trouble installing our product please refer to the trouble shooting section on the previous page first then phone the Technical Advice Line on 1300 360 280 (open 9am to 5pm EST). DO NOT uninstall the fan unless asked to do so.

1.	<u>Ceiling fan is not installed using a solid-state wall controller.</u> Neither leading nor lagging edge controllers will give satisfactory performance. Wall controllers must only be types approved for use with this fan.
2.	The fan, fan light assembly and bracket are earthed.
3.	Fan, fan light and remote control receiver are run from the same final circuit via an isolation switch.
4.	Mounting bracket must be firmly secured to a solid structure such as a concrete ceiling, steel structure or timber framing. If additional bracing is added it must be firmly secured to the rafters and not left floating on the ceiling. Special mounts, such as T-hooks, are available for certain types of installation.
5.	Counter sunk screws are <u>not</u> to be used to attach bracket to ceiling.
6.	Fan blades are at least 2.1m (7 feet) above floor level.
7.	Check the fan is operating correctly on all speeds.
8.	<u>If light is installed.</u> Check light is functioning properly.
9.	<u>If remote control is installed.</u> Check the fan (and light if installed) is responding to the remote control correctly.
10.	Check electrician's details have been recorded onto page 14 of this manual.



1. **Do not** attempt to operate the fan (or light kit) with any wall control that is not approved by HPI for use with its fans. DO NOT use solid state controllers. The use of unapproved controllers may void your warranty.

2. **Do not** mix blade sets from one fan to another as this may upset the balance of the fan. If only one blade is damaged you are still required to replace with a new set.



Attach receipt here.



Attach electricians invoice here.

Fill out the details below and keep this manual. You will need to present your product information, installing electricians license number and proof of purchase for warranty claims.

**CUSTOMER DETAILS**

Customer Name: \_\_\_\_\_

Installation Site Address: \_\_\_\_\_

**INSTALLING ELECTRICIAN DETAILS**

Electrical company and Electrician Name: \_\_\_\_\_

License No: \_\_\_\_\_

Telephone: \_\_\_\_\_

Mobile: \_\_\_\_\_

Install Date: \_\_\_\_\_

Please to fill out the product and purchase details

<b><u>PRODUCT DETAILS</u></b>				
<b>Qty</b>	<b>Product Name</b>	<b>Install Area</b>	<b>Colour</b>	<b>Fan Sweep (i.e. 48", 52", 54" etc)</b>

<b><u>PURCHASE DETAILS</u></b>			
<b>Qty</b>	<b>Product Name</b>	<b>Purchase Place</b>	<b>Purchase Date</b>

**PLEASE RETAIN THE PURCHASE RECEIPT FOR WARRANTY CLAIMS**



1. **Do not** attempt to operate the fan (or light kit) with any wall control that is not approved by HPI for use with its fans. DO NOT use solid state controllers. The use of unapproved controllers may void your warranty.
2. **Do not** mix blade sets from one fan to another as this may upset the balance of the fan. If only one blade is damaged you are still required to replace with a new set.



# Warranty Terms and Conditions

Manufacturer's warranty covers defects in the product only. It does not cover defects within the fan installation or improper maintenance. This warranty covers Australia only.

Warranty periods begin from the day of purchase from an authorized reseller or dealer. Warranty on builder supplied and installed fans commences when fans are delivered to the builder or contractor (which generally precedes hand over of the dwelling). Warranty periods are as follows:

2 years in-home warranty on all Hunter Pacific International AC and DC ceiling fans, including fans with fully integrated light combinations and DC remote controls and receivers. This warranty excludes cosmetic and corrosion damage (unless reported in the first three months).

3 years additional parts only warranty on the electric motor.

All non-integrated Hunter Pacific International light kits and AC remote control systems are separately purchased accessories for AC ceiling fans and as such are covered by our accessory parts warranty for 12 months from date of purchase.

This statement is required by the Australian Consumer Law 2010: *"Our goods come with guarantees that cannot be excluded under the Australian Consumer Law. You are entitled to a replacement or refund for a major failure and for compensation for any other reasonably foreseeable loss or damage. You are also entitled to have the goods repaired or replaced if the goods fail to be of acceptable quality and the failure does not amount to a major failure."*

**Please note carefully - If the product is found to be free of defects or the product is not functioning properly as a result of faulty installation or lack of maintenance then Hunter Pacific International Pty Ltd or its service agent reserve the right to charge a service fee to rectify the reported problem.**

Damage caused by incorrect installation, force-majeure, electrical surges, lightning, power grid fluctuations, water or alternative power supply sources (such as solar inverters etc.) will not be covered by warranty. This warranty does not cover the product being incorrectly used, physically abused, accidentally damaged or not serviced in accordance with the maintenance instructions.

This product warranty excludes to the fullest extent possible under law any liability for consequential loss or damages directly or indirectly resulting from a faulty ceiling fan or accessory product that is not installed or maintained according to the installation instructions. When installed, maintained and used according to the instructions such loss or damage can be easily avoided or minimised.

Signals (ripple control) sent through the power grid by the electricity supplier for the control of other devices may cause intermittent noises and do not occur as a result of a fault in the fan.

When ceiling fans are installed in a location requiring special equipment (such as scaffolding or scissor lifts) the cost of providing such equipment must be borne by the site owner in case of maintenance and repair and such costs should be considered when deciding on fan placement.

WHS regulations may prohibit technicians from attempting to access products installed above a certain height without special measures in-place. It is the site owners responsibility to provide those measures at their own cost or an on-site/in-home warranty service may be refused. The product will need to be removed and reinstalled at the owners expense.

**PLEASE RETAIN THE PURCHASE RECEIPT FOR WARRANTY CLAIMS**





# AZURE<sup>TM</sup>

By HPI

## **Warranty Procedure\***

For online warranty bookings visit: [www.hunterpacific.com.au](http://www.hunterpacific.com.au) (24hours, 7 days)  
For technical advice call: 1300 360 280 (Monday to Friday from 9am to 5pm EST)  
\* Warranty only available within Australia