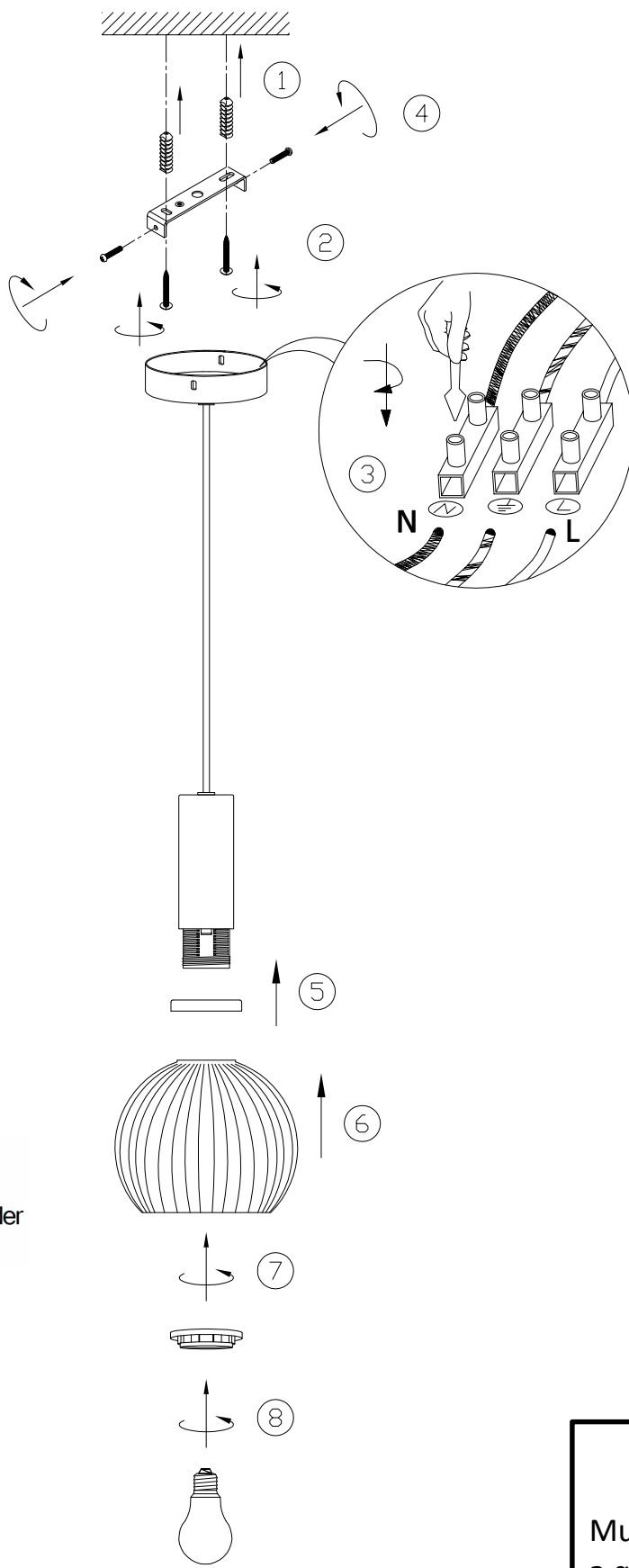


ITEMNO.:AOSTA PE15



Disclaimer:
Tools not included
Shade ring attached on lamp holder
Globe(s) not included



240V ~ 50Hz E27 Max. 25W x 1
NOTE: GLOBE NOT INCLUDED

IMPORTANT
Must be installed by a qualified electrical contractor.
Install in accordance with AS/NZS3000